

# FROST

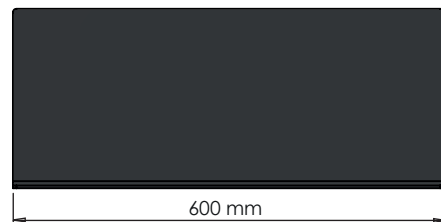
DENMARK

## UNU SHELF SYSTEM HEIGHT 250

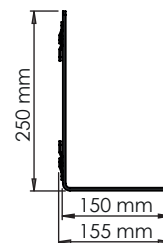
Fitting instruction  
Montageanleitung  
Monteringsvejledning  
Monteringsvægledning  
Montage hanleiding  
Manuel de montage

## UNU SHELF SYSTEM HEIGHT 250

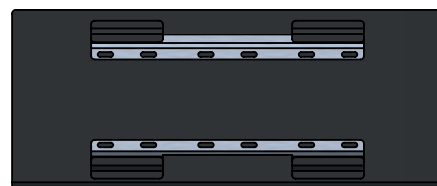
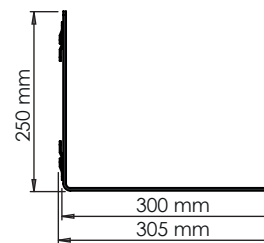
U4025, U4027



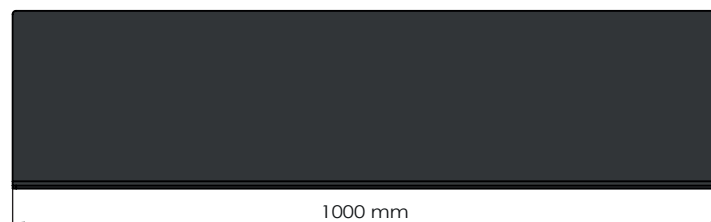
U4025



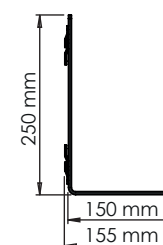
U4027



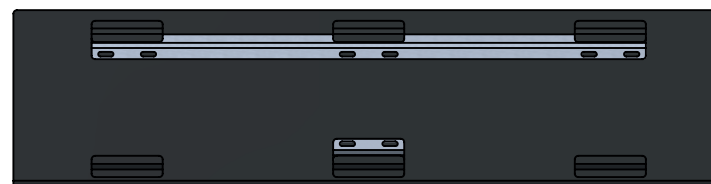
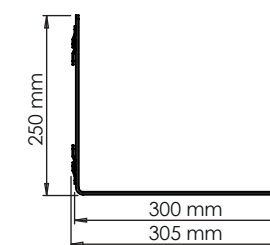
U4026, U4028



U4026



U4028



U4025-B



U4027-B



U4026-B



U4028-B



U4025-W



U4027-W



U4026-W



U4028-W



**Material:** Aluminium  
**Design:** Bønnelycke mdd  
**Manufacturer:** FROST A/S

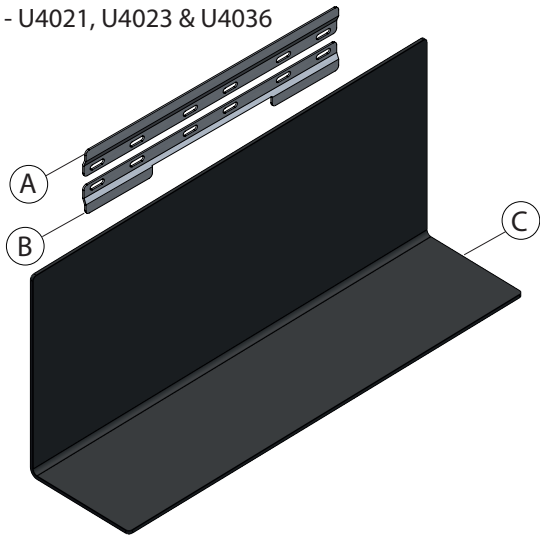
### Exclusion of liability

FROST accepts no liability whatsoever for damage to persons or property that occurs or has occurred as a result of improper installation or maintenance, particularly if the safety instructions and other points to note listed are not or have not been observed in full.

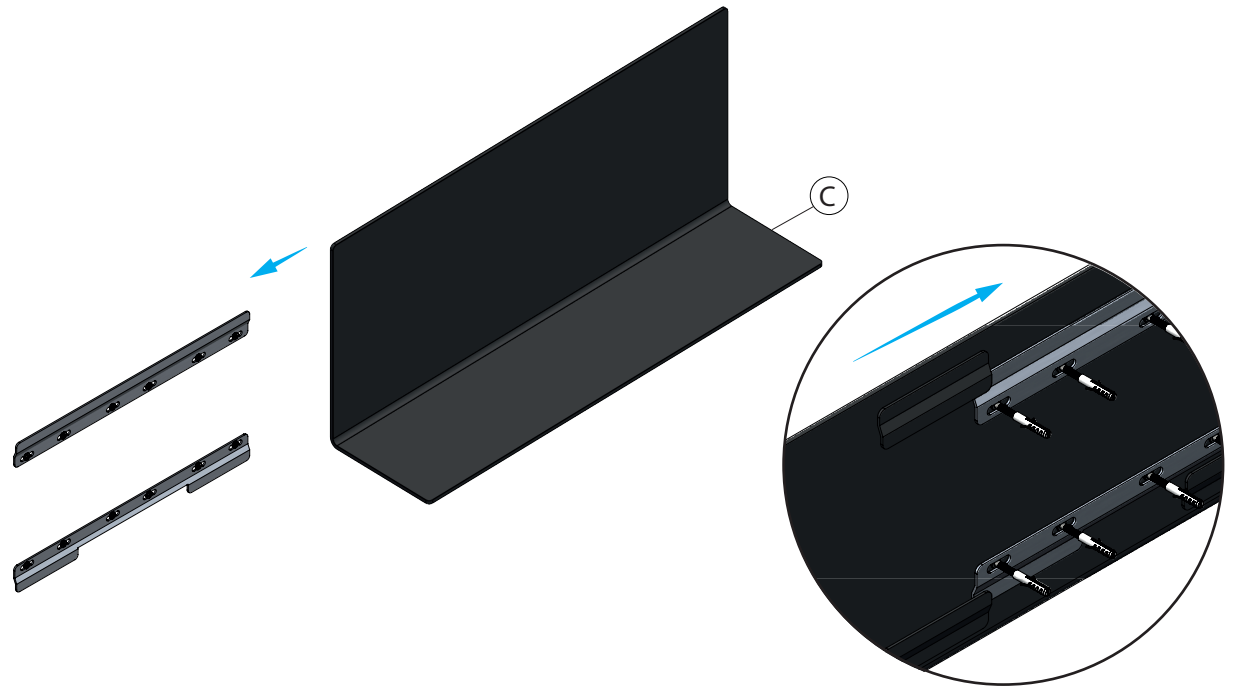
### Warning and hazard notices

Improper mounting or use can lead to accidents and serious injuries.

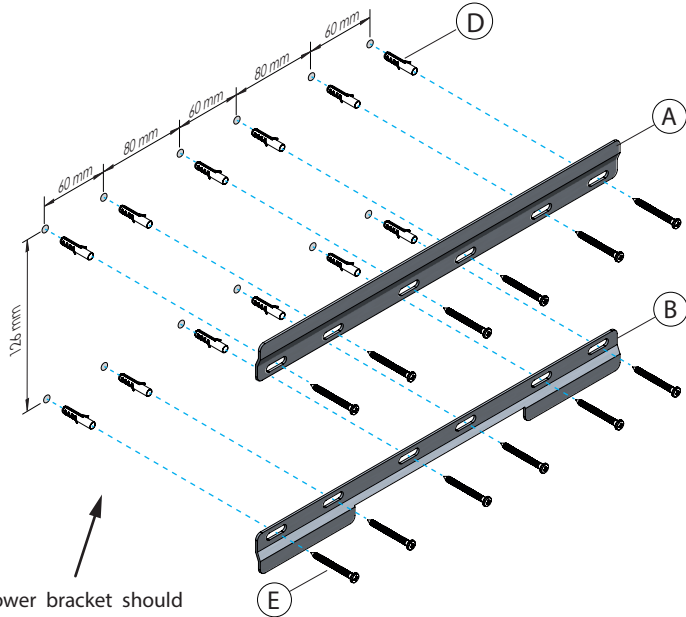
UNU SHELF - U4021, U4023 & U4036



2

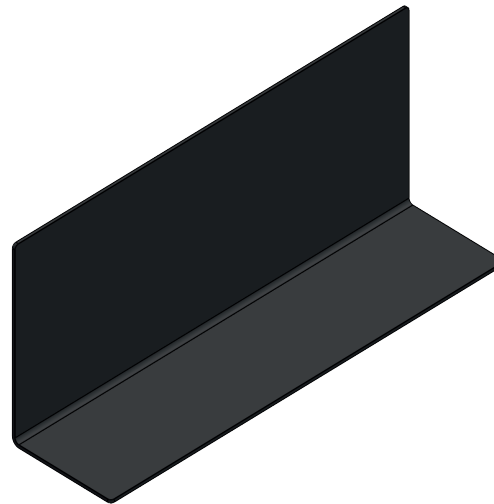


1



The lower bracket should only be mounted if the shelf is installed in a public area with risk of people removing the shelf.

3



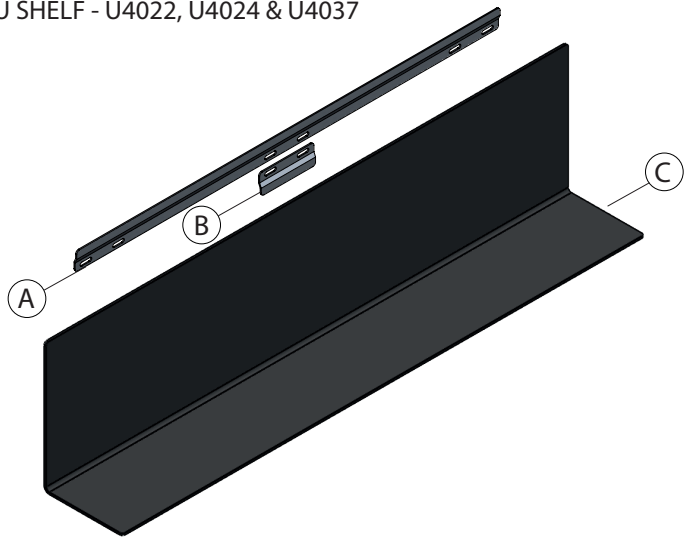
**Cleaning and maintenance**

Surfaces should be cleaned with a microfibre cloth, glass cleaner or other non abrasive and gentle agents.

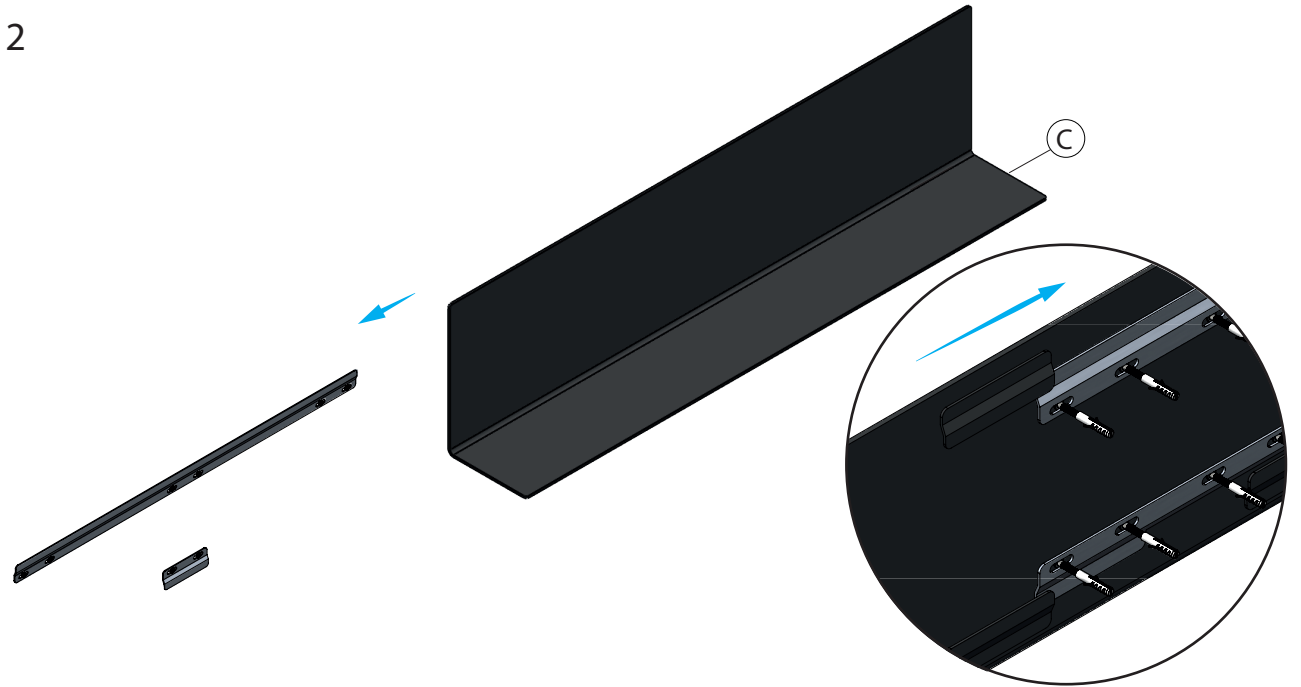
**Attention:**

Never use solvents or aggressive household cleaners like bleach, acids (e.g. descalers) or ammonia-based bathroom cleaner to clean the product. Steel wool and hard brushes can permanently damage the surface of the steel.

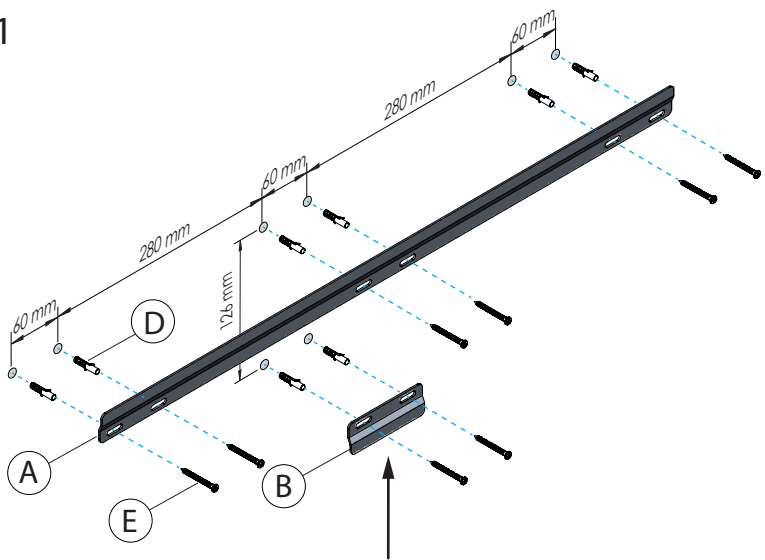
UNU SHELF - U4022, U4024 & U4037



2

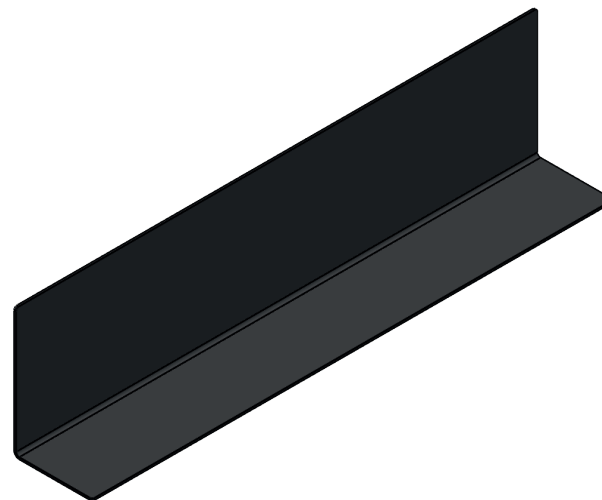


1



The lower bracket should only be mounted if the shelf is installed in a public area with risk of people removing the shelf.

3



**Cleaning and maintenance**

Surfaces should be cleaned with a microfibre cloth, glass cleaner or other non abrasive and gentle agents.

**Attention:**

Never use solvents or aggressive household cleaners like bleach, acids (e.g. descalers) or ammonia-based bathroom cleaner to clean the product. Steel wool and hard brushes can permanently damage the surface of the steel.