

## Product data sheet

### Product set washbasin and support rail 950.19.070

# HEWI



#### Product set washbasin and support rail 950.19.070

washbasin 950.13.201

- made of mineral composite with pore-free surface, alpine white
- surge edge to the wall
- with storage surface and deep rectangular basin with generous radii
- modular washbasin system: adaptive additional functions can be extended or dismantled
- accessible underneath according to DIN 18040 and ÖNORM B1600/1601
- 650 mm wide and 550 mm deep
- wash bowl recess 100 mm
- prepared for single-hole fitting
- without overflow
- loadable according to DIN EN 14688
- for hanger bolt fastening
- CE marking according to the Construction Products Regulation No. 305/2011

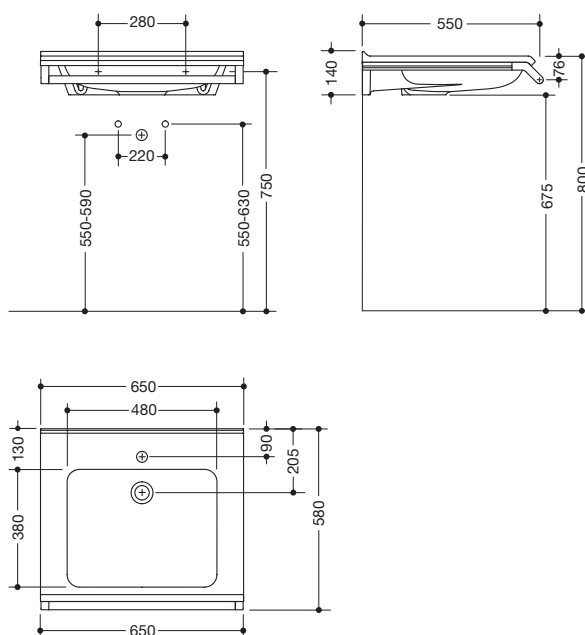
and modular accessories

Washbasin profiles with grab bar 950.13.0001

- grab bar also usable as a towel bar, load capacity up to 80 kg
- 650 mm wide, handrail diameter 25 mm
- mounted above the two profiles under the washbasin
- handrail made of high quality stainless steel
- powder-coated in HEWI colours DX (matt white), DC (matt black), AY (matt light grey pearl mica) and SC (matt dark grey pearl mica)
- including corrosion-free HEWI fixing material



#### Dimensions in mm



Mineral composite



Alpine white

Surfaces/Colours



The colour AY will be discontinued 31.03.2023

Technical information subject to alteration, 30th March 2022

HEWI Heinrich Wilke GmbH  
Postfach 1260  
D-34442 Bad Arolsen

Telefon: +49 5691 82-366  
Telefax: +49 5691 82-99366  
international@hewi.com  
www.hewi.com

HEWI (UK) Limited  
Holm Oak Barn, Beluncle Halt  
Stoke Road  
Hoo Kent ME3 9NT

Phone +44 1634 258 200  
Fax +44 1634 250 099  
info@hewi.co.uk  
www.hewi.com