

Paper dispensers **GW03 04 04 03 Paper towel dispenser**



Product description

Material: AISI 304 stainless steel

Finish: Black matte

Capacity: 250/300 towels

Safety lock

Content viewer

Technical specifications:

The dispenser of folded paper towels is made up of a cover and a support that are attachable to a wall. The cover, made in AISI 304 stainless steel with a black matte finish, includes a content viewer on the front. The wall mount is made in AISI 304 stainless steel with a brushed finish. The paper towels are replaced by inserting a key in the slot on the top of the dispenser and turning it 90° in order to lift the cover. The paper towels used are folded and type "C" or "Z". It is fixed to the wall by means of 4 screws, with universal wall plugs for brick walls, located on the product's wall mount.

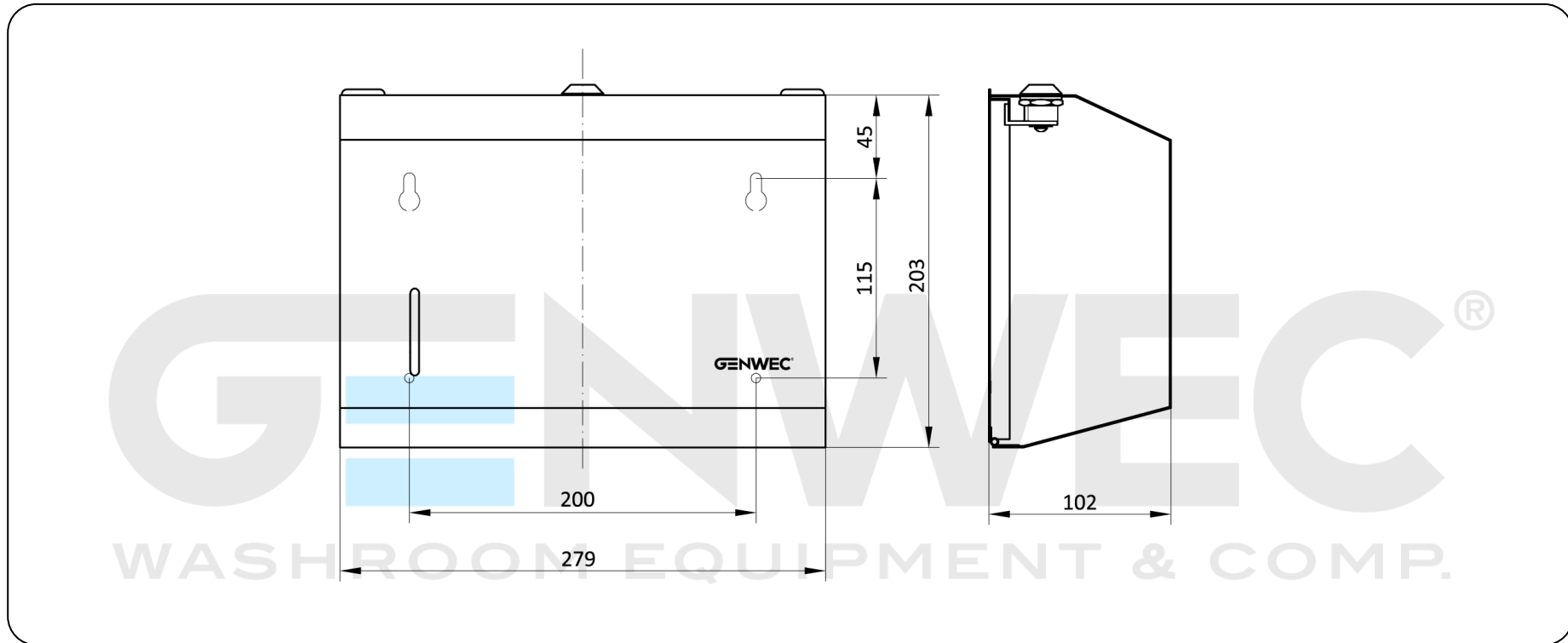
The paper towel dispenser model is GW03 04 04 03, manufactured by GENWEC WASHROOM S.L. - Av. Joan Carles I, 46-48 - E508908 L'Hospitalet de Llobregat - Barcelona (Spain). www.genwec.com

Technical characteristics

Product specifications

- Type of material: AISI 304 stainless steel
- Finish: Black matte
- Type of paper: folded paper towels type "C" or "Z"
- Capacity: 250/300 towels
- Safety lock
- Content viewer

Paper dispensers **GW03 04 04 03 Paper towel dispenser**



Cleaning: A cotton cloth slightly dampened in a soapy solution is recommended. Then dry off. Do not use any strong chemicals or cleaning agents that can be dangerous to children.

Paper dispensers **GW03 04 04 03 Paper towel dispenser**

