

PAPER DISPENSERS **GW03 19 01 04 ABS paper dispenser**



Product description

Silver ABS body
Grey ABS cover
Spool roll type 250/300 m
Adjustable spool: 48 mm or 73 mm diameter
Content viewer
Safety lock

Technical specifications:

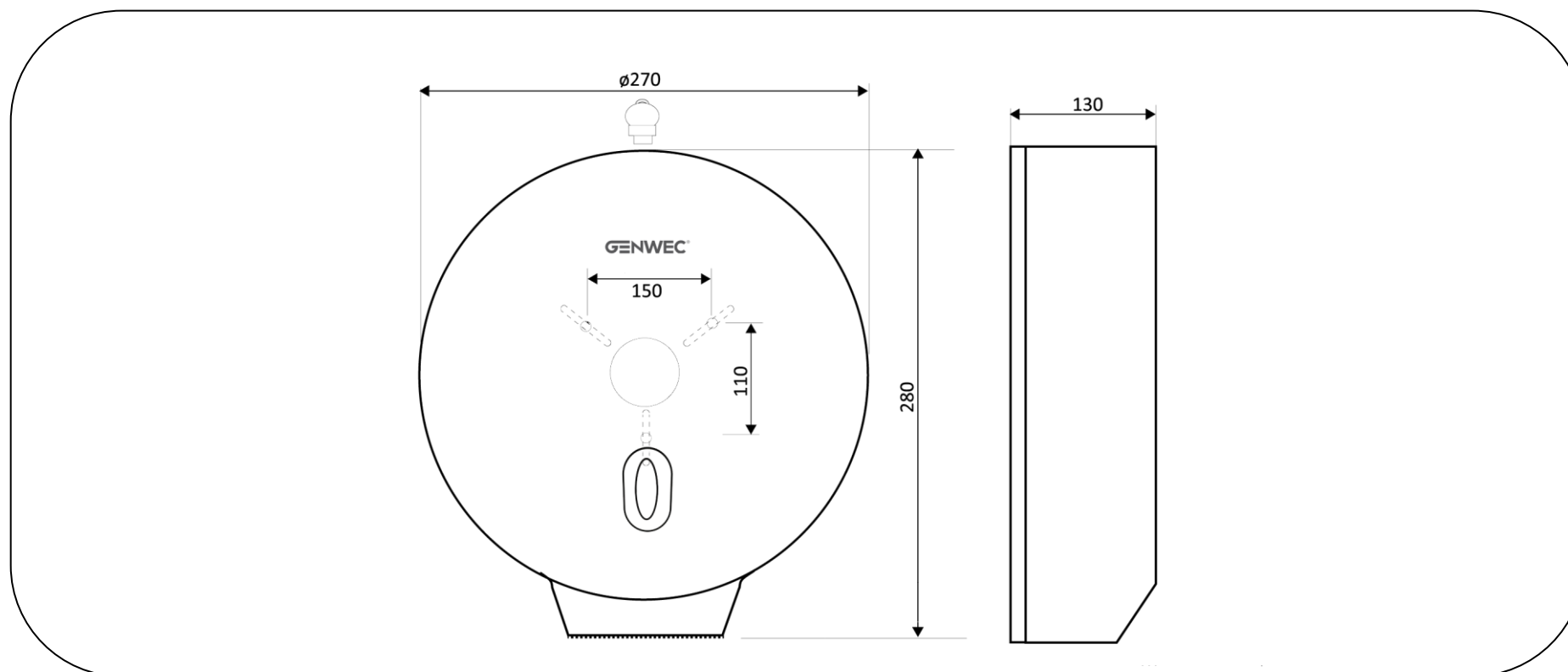
The industrial hygienic paper dispenser is made up of a cover and a support that are attachable to a wall. The cover is made in silver ABS thermoplastic and it includes a content viewer on the front in transparent ABS thermoplastic. The wall mount is made in AISI 304 stainless steel with a grey finish. The paper is replaced by inserting a key in the slot on the top of the dispenser and turning it 90° in order to lift the cover. The type of paper used is a 250/300 m roll. The 48 mm diameter spool has an extractable ABS thermoplastic part that allows adjusting the spool to a diameter of 73 mm, helping in a smoother rotation of the roll when extracting paper. The product dimensions are 280 x 270 x 130 mm. It is fixed to the wall by means of 3 screws, with universal wall plugs for brick walls, located on the product's wall mount. The paper dispenser model is GW03.19.01.04, manufactured by GENWEC WASHROOM S.L. - Av. Joan Carles I, 46-48 - c.p: 08908 L'Hospitalet de Llobregat. www.genwec.com.

Technical characteristics

Product specifications

Type of material: ABS
Finish: silver
Type of paper roll: 250/300 m.
Adjustable spool: 48 mm or 73 mm
Safety lock
Content viewer

PAPER DISPENSERS **GW03 19 01 04 ABS paper dispenser**



Cleaning: A cotton cloth slightly dampened in a soapy solution is recommended. Then dry off. Do not use any strong chemicals or cleaning agents that can be dangerous to children.