

**Product description**

Sanitary bag dispenser

Material: AISI 304 Stainless steel

Finish: Brushed

Technical specifications:

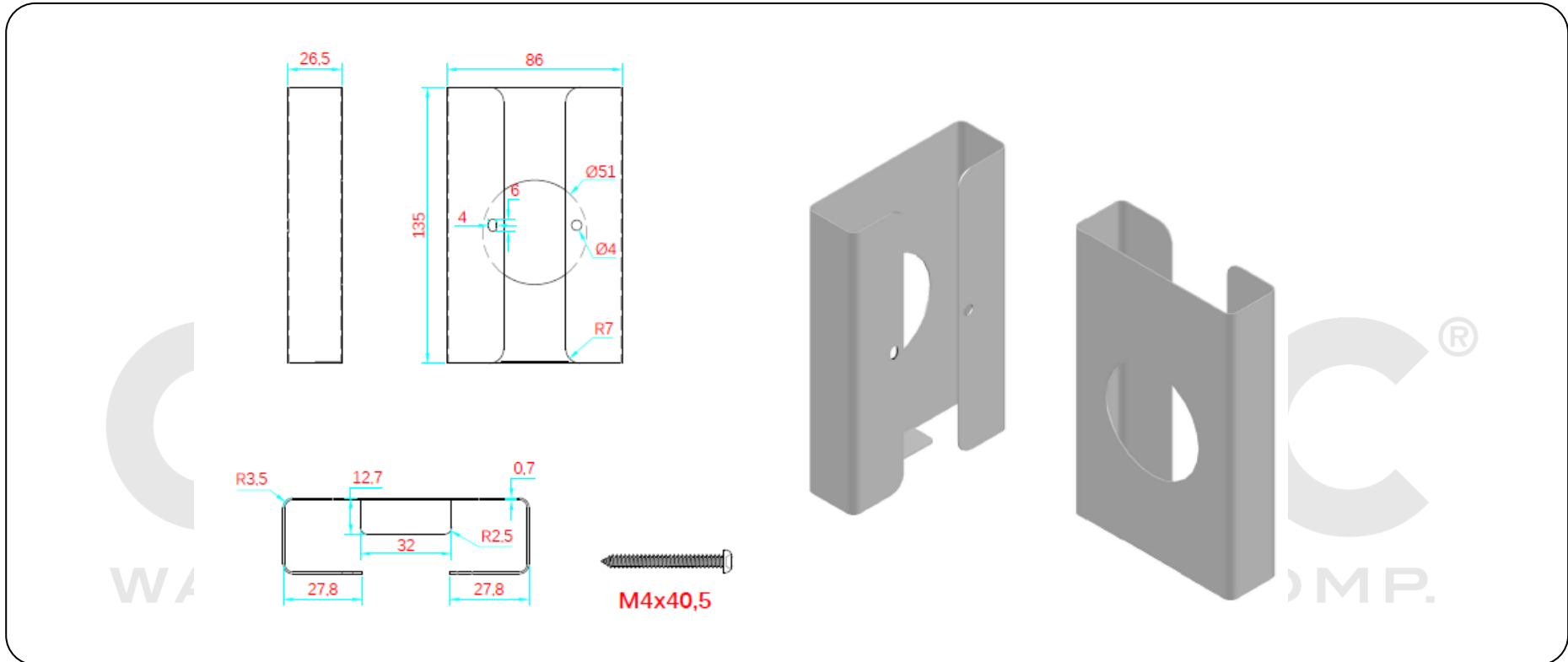
The sanitary bag dispenser is made in AISI 304 stainless steel with a brushed finish. The sanitary bag dispenser is fixed to the wall by means of 2 screws. The dimensions of the dispenser are 135 x 86 x 26,5 mm. The sanitary bag dispenser model is GW03 25 04 02, manufactured by GENWEC WASHROOM S.L. - Av. Joan Carles I, 46-48 - c.p: 08908 L'Hospitalet de Llobregat - Barcelona. www.genwec.com.

Technical characteristics**Product specifications**

Sanitary bag dispenser for surface mounted.

Type of material: AISI 304 stainless steel

Finish: Brushed



Cleaning: A cotton cloth slightly dampened in a soapy solution is recommended. Then dry off. Do not use any strong chemicals or cleaning agents that can be dangerous to children.