

SOAP DISPENSERS **GW04 08 01 00 ABS medical soap dispenser****Product description**

Medical soap dispenser  
ABS white plastic  
Capacity of 1.200 ml  
Included two handles to change the length of the push mechanism

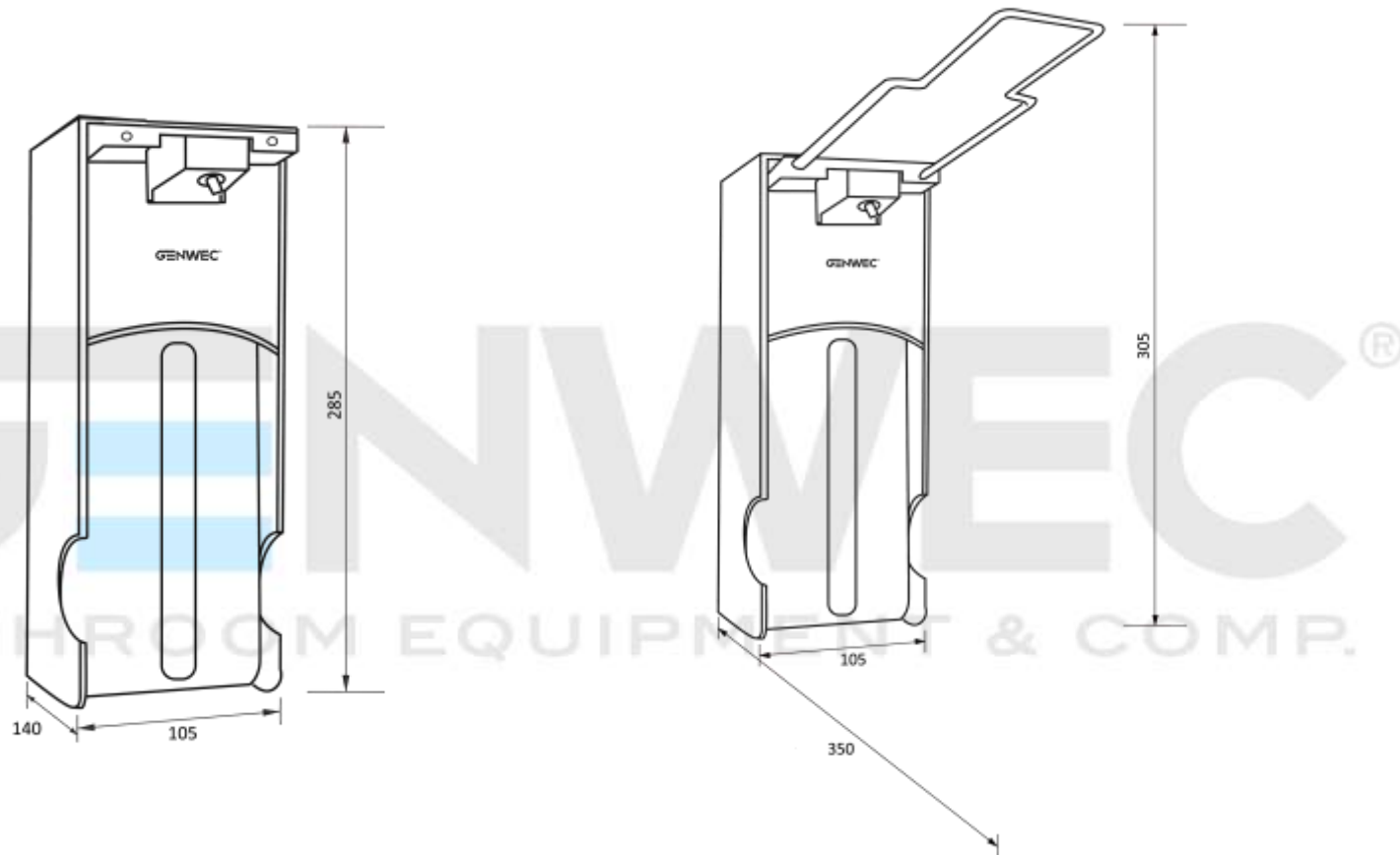
**Technical specifications:**

The dispenser is entirely made of white ABS and has an inner polythene container with a capacity to hold up to 1.200 ml of liquid soap. The soap dispenser includes two metal handles so can be used with different lengths. The actuation is manual, using pressure. The product dimensions are 140x113x289 140x113x289mm It is fixed to the wall from the back of the soap dispenser using 3 wall plugs and steel fixing screws, each of them sarked at the rear of the product. It can be filled with vegetable or synthetic soap. The soap dispenser model is GW04.08.01.00, manufactured by GENWEC WASHROOM S.L. - Av. Joan Carles I, 46-48 - c.p: 08908 L'Hospitalet de Llobregat. [www.genwec.com](http://www.genwec.com).

**Technical characteristics****Product specifications**

- Cover material: white ABS plastic
- Container material: polyethylene
- Capacity: 1.100 ml
- Attached to the wall
- Includes two handles with different push lengths

SOAP DISPENSERS **GW04 08 01 00 ABS medical soap dispenser**



**Cleaning:** A cotton cloth slightly dampened in a soapy solution is recommended. Then dry off. Do not use any strong chemicals or cleaning agents that can be dangerous to children.