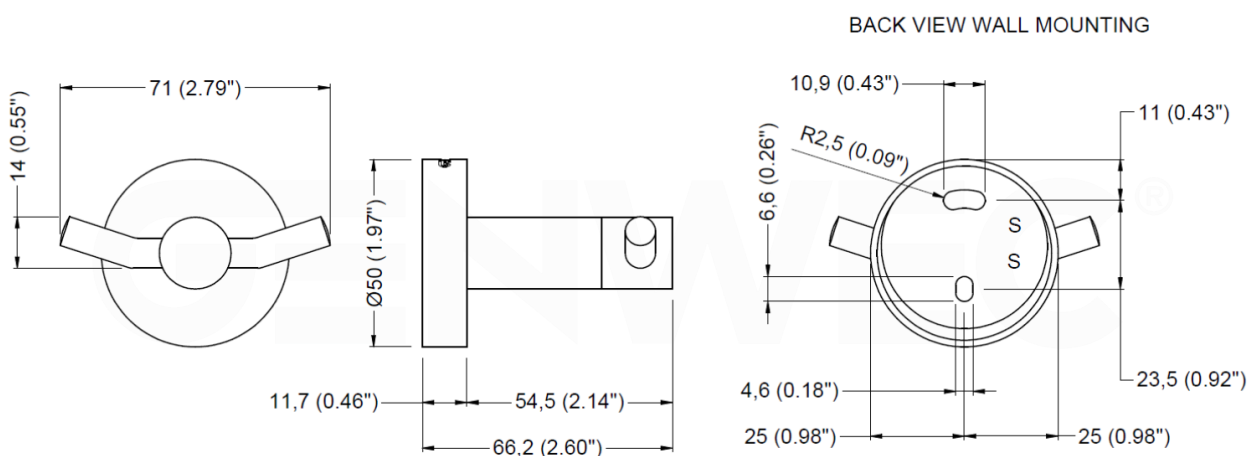




GW05 01 04 01

Double hanger "GERUNDA series"



Dimensions: ±3%

TECHNICAL DATASHEET

COMPONENTS AND MATERIALS

- Concealed wall plate – AISI 304 stainless steel. Secured to wall with two screws.
- Main body – AISI 304 stainless steel, 1,5mm thickness, satin finish. Secured to wall plate with a stainless steel screw.
- Fixings set - Two Ø 6mm wall plugs, two Ø 4mm screws and one Allen key.

OPERATION

Suitable for hotel or residential bathrooms. No specific operation instructions.

MOUNTING

Loosen main body bottom setscrew so wall plate can be removed. Drill two Ø 6mm holes to suit provided wall plugs (6mm) and screws (4mm) at S points indicated in technical design. Secure wall plate to the wall. Place main body and tighten setscrew at the bottom so to secure with wall plate.

ARCHITECTURAL SPECIFICATION

Genwec double hanger "Gerunda series" shall be 1,5mm thickness, AISI 304 stainless steel, satin finish. Main body shall have two "V" shape hooks to secure grip. Edges should be smooth for user safety.

SPARE PARTS

GW05 01 90 00 – Fixings set