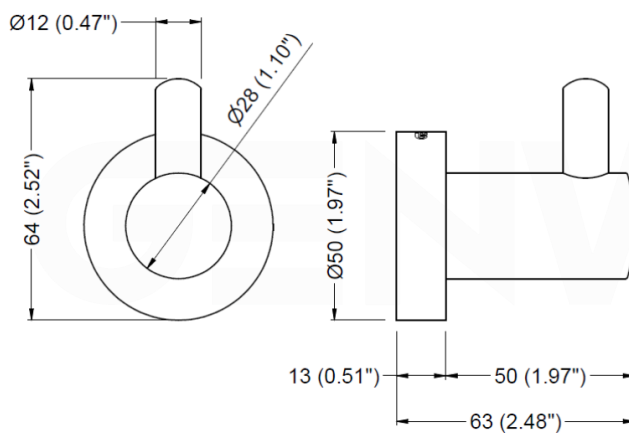


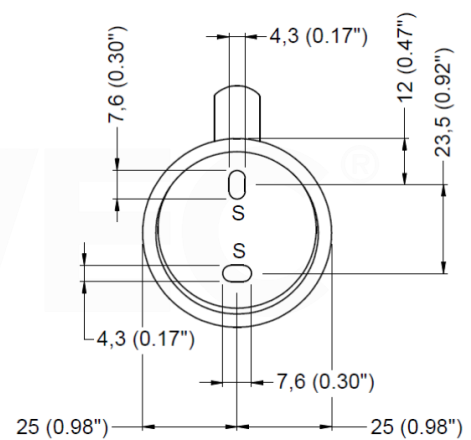


GW05 01 06 02

Hanger "ITALICA series"



BACK VIEW WALL MOUNTING



Dimensions: ±3%

TECHNICAL DATASHEET

COMPONENTS AND MATERIALS

- Concealed wall plate – Brass. Secured to wall with two screws.
- Main body – Chromed brass steel, 1,5mm thickness. Bright finish. Secured to wall plate with a zinc plated screw.
- Fixings set - Two Ø 6mm wall plugs, two Ø 4mm screws and one Allen key.

OPERATION

Suitable for hotel or residential bathrooms. No specific operation instructions.

MOUNTING

Loosen main body bottom setscrew so wall plate can be removed. Drill two Ø 6mm holes to suit provided wall plugs (6mm) and screws (4mm) at S points indicated in technical design. Secure wall plate to the wall. Place main body and tighten setscrew at the bottom so to secure with wall plate.

ARCHITECTURAL SPECIFICATION

Genwec hanger "Italica series" shall be 1,5mm thickness, chromed brass, bright finish. Main body shall have a vertical hook to secure grip. Edges should be smooth for user safety.

SPARE PARTS

GW05 01 90 00 – Fixings set