



Product description

Wall mounted transparent glass tumbler holder
Material: Injected zinc
Finish: Chrome plating
Cartago Series

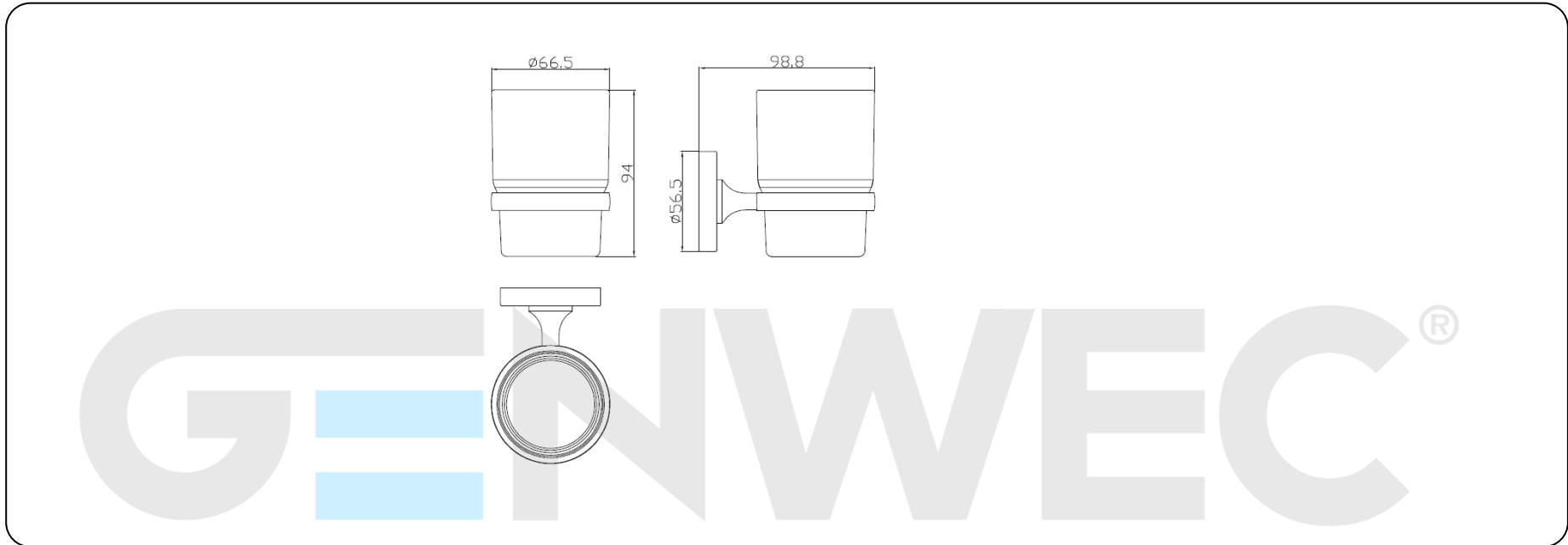
Technical specifications:

“Cartago Series” tumbler holder. The product consists of a wall mount, a wall plate covering the wall mount and the tumbler holder. The tumbler holder, which is made of transparent glass and which is fitted in the circular holding accessory that is attached to the central cylinder by means of screws. The wall plate covering the wall mount, which is fastened to the central cylinder, is made of injected zinc. The wall mount, made of injected zinc steel, has two holes so it can be fixed to the wall by means of screws. The assembled set has a chromed finish that provides it an appropriate resistance against corrosion. The product is anchored to a brick wall by means of 2 nylon wall plugs and 2 screws. The overall dimensions of the product are 98,8 x 94 x 66,5 mm. The accessory model for the HORECA sector is GW05 02 05 02, manufactured by GENWEC WASHROOM S.L. - Av. Joan Carles I, 46-48 ES-08908 L'Hospitalet de Llobregat (Barcelona – Spain) www.genwec.com

Technical characteristics

Product specifications

- Tumbler holder made of transparent glass Injected zinc wall plate
- The metal parts have a chromed finish that provides them an appropriate resistance against corrosion.



Cleaning: A cotton cloth slightly dampened in a soapy solution is recommended. Then dry off.