

#### Product description

Paper dispenser with cover  
Material: Chrome brass  
Cover Material: AISI 304 Stainless steel  
Finish: Chrome plating  
Italica Series

#### Technical specifications:

"Italica Series" paper dispenser with cover. The product consists of a wall support of 42 mm diameter and 3 mm thickness made in brass fastened by means of screws to the wall. The wall plate covering the support element, which is fastened to the wall support by means of screws, is made in brass casting with a 50mm diameter and a 4mm thickness. of a wall mount, a wall plate covering the wall mount, a paper roll rod and a paper roll cover. The cover, made of 1-mm thick AISI 304 stainless steel, is attached to the U-shaped rod. The mounted set has a chrome finish plated with 10 µm nickel + 0.15-0.3 µm chromium that provides an appropriate resistance against corrosion. The product is anchored to a brick wall by means of the abovementioned wall support, 2 nylon wall plugs and 2 screws. The overall dimensions of the product are 135 x 135 x 65 mm. The accessory model for the HORECA sector is GW05 05 06 02, manufactured by GENWEC WASHROOM S.L. - Av. Joan Carles I, 46-48 ES -08908 L'Hospitalet de Llobregat (Barcelona- SPAIN)

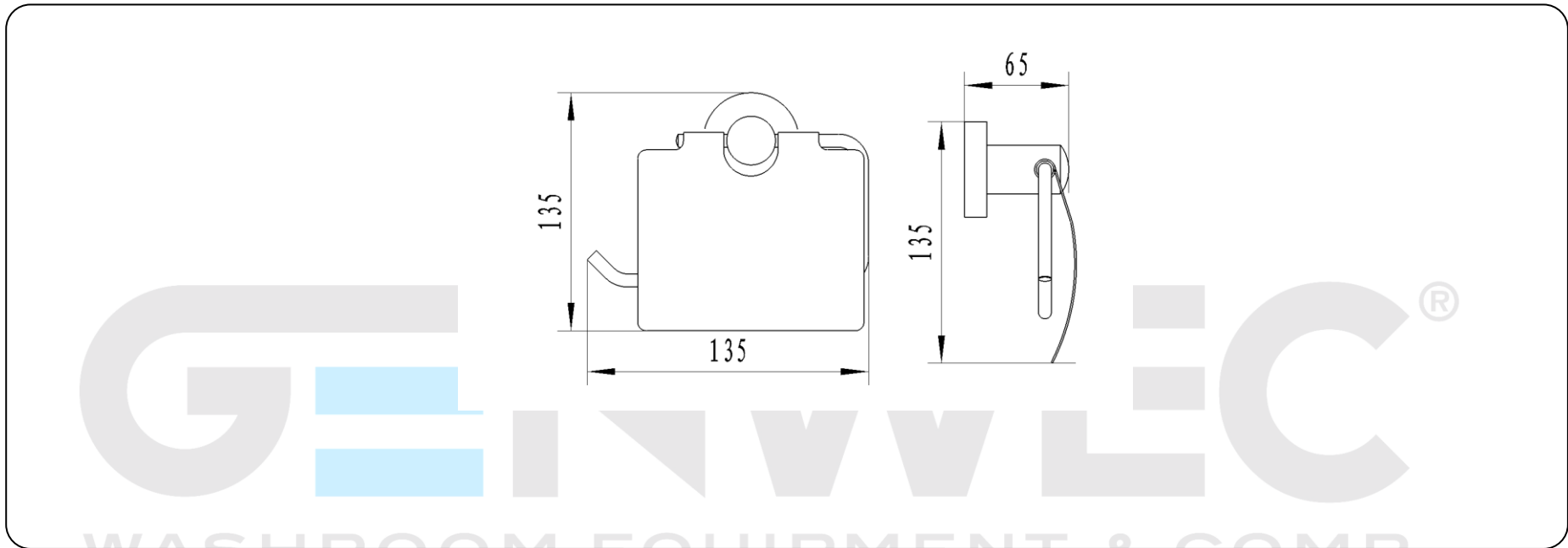
#### Technical characteristics

##### Product specifications

- Paper roll cover made of AISI 304 stainless steel
- Wall support made in brass.
- Support elements made in brass Ø42 mm and a 3mm thickness.
- Wall plate made in brass Ø50 mm and a 4mm thickness.
- Chrome plating finish with 10 µm nickel + 0.15-0.3 µm chromium.

##### Packaging specifications

- Single packaging type: Single cardboard, bubble wrap and Cell air foam.



**Cleaning:** A cotton cloth slightly dampened in a soapy solution is recommended. Then dry off.