

BATHROOM ACCESSORIES **GW05 06 05 02 “CARTAGO SERIES” shower soap holder**



**Product description**

Shower soap holder  
Made of zinc with a chrome finish  
Finish: Polished  
Cartago Series

**Technical specifications:**

“Cartago series” shower soap holder. The product consists of two wall mounts, two wall plates covering the wall mounts and a wire basket for the soap. The wall mount set, made of carbon steel, has two holes so it can be fixed to the wall by means of screws. The wall plates covering the wall mount are made of injected zinc and have a diameter of 56.5-mm and a thickness of 1.5-mm. They are fixed to the wall mounts by means of screws. The soap holder, made of injected zinc with a chrome finish, consists of several U-shaped rods joined to a rectangular bar, providing a total surface area of 300 x 122 mm. The assembled set has a chrome finish plated with 3.5-6 µm nickel + 2-3 µm chromium that provides it an appropriate resistance against corrosion. The product is anchored to a brick wall by means of 4 nylon wall plugs and 4 screws. The overall dimensions of the product are 66.3 x 300 x 144 mm. The bathroom accessory model is GW05 06 05 02, manufactured by GENWEC WASHROOM S.L. - Av. Joan Carles I, 46-48 08908 L'Hospitalet de Llobregat.

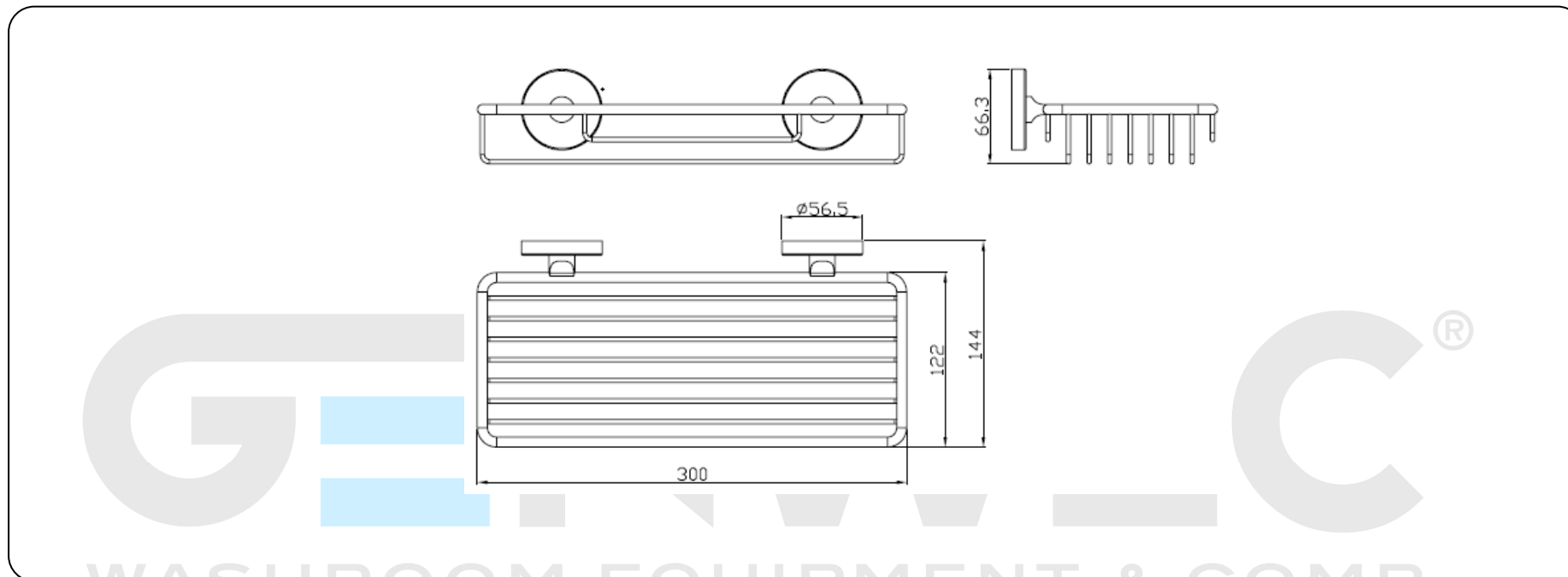
**Technical characteristics**

**Product specifications**

- Wall mounted soap holder made of injected zinc
- Circular wall plates
- Chrome finish plated with 3.5-6 µm nickel + 2-3 µm chromium

**Packaging specifications**

- Type of individual package: Individual cardboard box and bubble wrap



**Cleaning:** A cotton cloth slightly dampened in a soapy solution is recommended. Then dry off.