

BATHROOM ACCESSORIES **GW05 08 04 01 “GERUNDA SERIES” towel ring**



**Product description**

Towel ring  
Material: AISI 304 Stainless steel  
Finish: Brushed  
Gerunda Series

**Technical specifications:**

“Gerunda Series” towel ring. The product consists of a wall mount, a wall plate covering the wall mount and a towel ring. The towel ring, made of AISI 304 stainless steel and with a diameter of 160 mm, moves freely on the axle of the central cylinder thanks to two plastic bearing units. The wall plate covering the wall mount, which is fastened to the end of the central cylinder, is made of AISI 304 stainless steel and has a diameter of 50.5 mm and a thickness of 3 mm. The wall mount, made of steel, has two holes so it can be fixed to the wall by means of screws. The assembled set has a brushed finish that provides it an appropriate resistance against corrosion. The product is anchored to a brick wall by means of 2 nylon wall plugs and 2 screws. The overall dimensions of the product are 180.3 x 160 x 68 mm. The accessory model for the HORECA sector is GW05 08 04 01, manufactured by GENWEC WASHROOM S.L. - Av. Joan Carles I, 46-48 08908 L’Hospitalet de Llobregat.

**Technical characteristics**

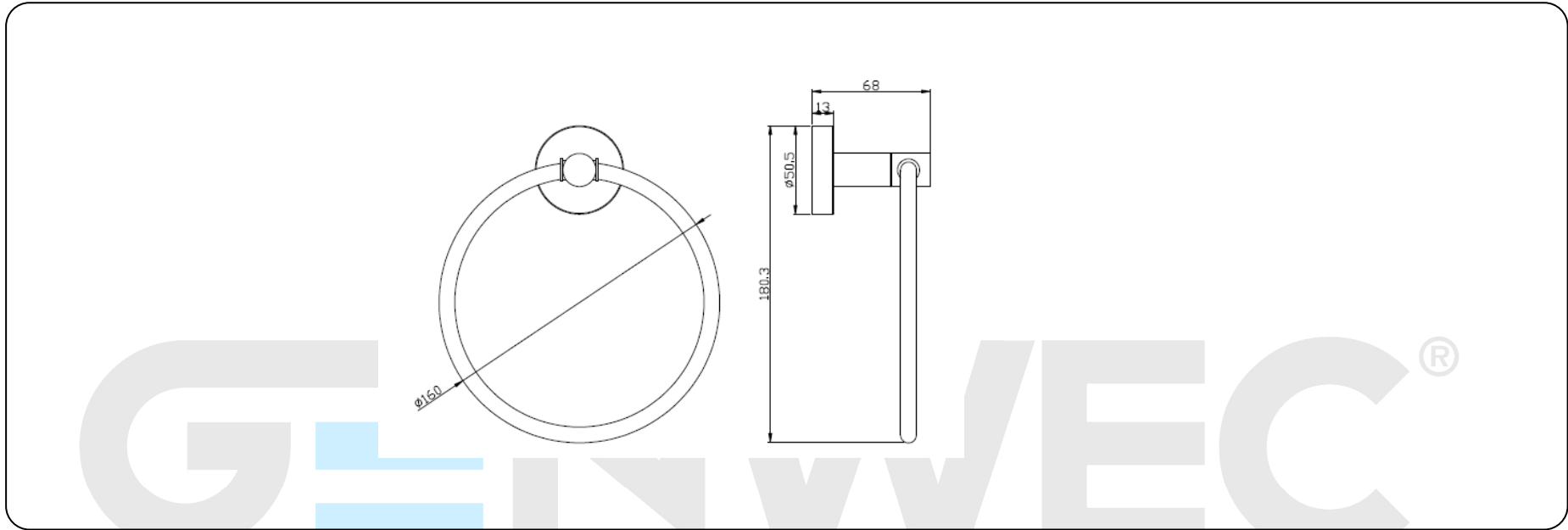
**Product specifications**

- Towel ring made of AISI 304 stainless steel with a diameter of 160 mm
- Ring attached by means of two plastic bearing units that enable it to move freely on the axle of the central cylinder
- AISI 304 stainless-steel wall plate with a 50.5-mm diameter
- The metal parts have a brushed finish that provides them an appropriate resistance against corrosion

**Packaging specifications**

- Type of individual package: Individual cardboard box and bubble wrap

BATHROOM ACCESSORIES **GW05 08 04 01 "GERUNDA SERIES" towel ring**



**Cleaning:** A cotton cloth slightly dampened in a soapy solution is recommended. Then dry off.