

BATHROOM ACCESSORIES **GW05 10 05 02 Towel Ring “CARTAGO SERIES”**



Product description

Towel Ring
Material: Injected zinc
Finish: Chrome plating
Cartago Series

Technical specifications:

“Cartago Series” towel ring. The product consists of a wall mount, a wall plate covering the wall mount and a towel ring. The towel ring, made of injected zinc with a diameter of 160 mm, moves freely on the axle of the central cylinder thanks to two plastic bearing units. The wall plate covering the wall mount, which is fastened to the end of the central cylinder, is made in injected zinc with a 56.5-mm diameter and a 1.5-mm thickness. The wall support is made in carbon cold-rolled steel and has two holes that are used to fix it to the wall by means of screws. The mounted set has a chrome finish plated with 3.5-6 µm nickel + 2-3 µm chromium that provides it an appropriate resistance against corrosion. The product is anchored to a brick wall by means of 2 nylon wall plugs and 2 screws. The overall dimensions of the product are 160 x 183.8 x 54 mm. The accessory model reference for the HORECA sector is GW05 10 05 02, made by GENWEC WASHROOM S.L. – Av. Joan Carles I, 46-48 ES-08908 L’Hospitalet de Llobregat, Barcelona (Spain).

Technical specifications

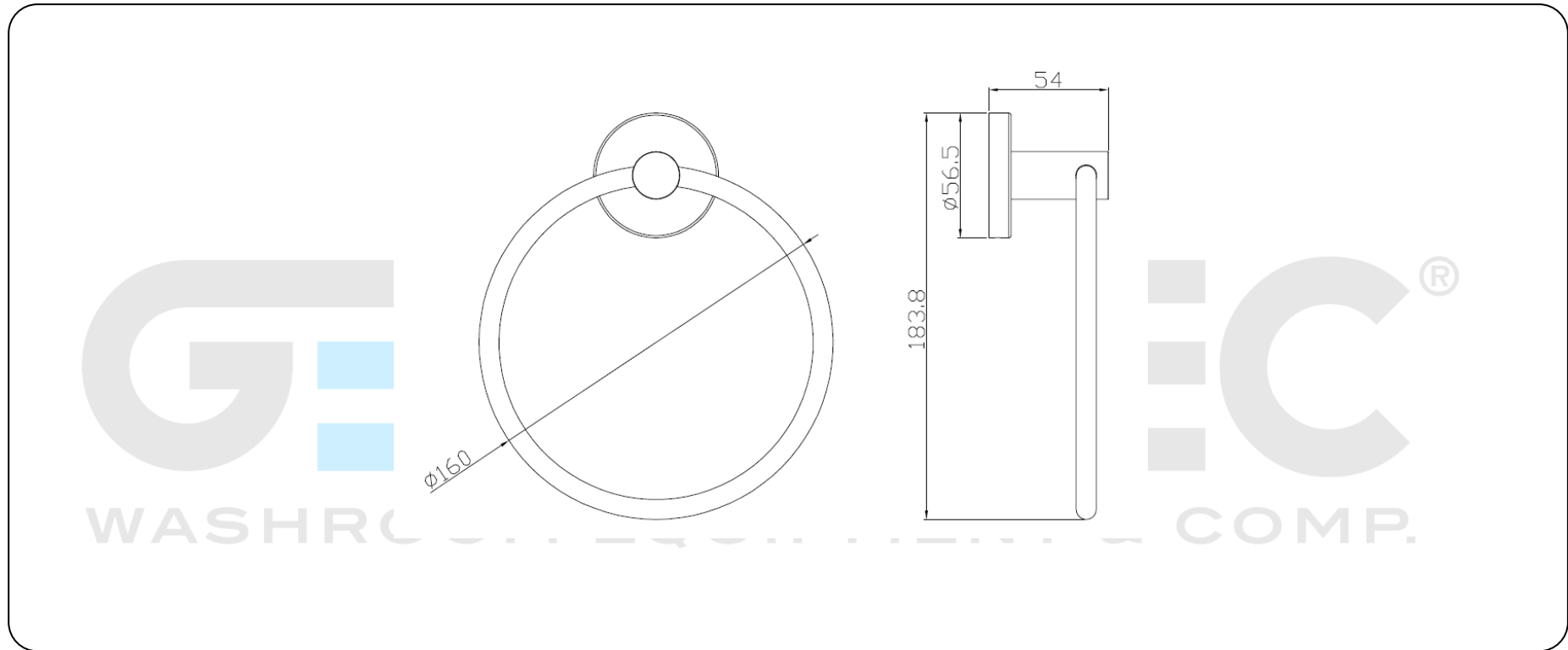
Product specifications

- Towel ring made of made in injected zinc with a diameter of 160 mm
- Ring attached by means of two plastic bearing units that enable it to move freely on the axle of the central cylinder
- Wall plate made in injected zinc with a 56.5-mm diameter
- Metal parts with chrome finish plated with 3.5-6 µm nickel + 2-3 µm chromium

Packaging specifications

- Single packaging type: Individual cardboard and bubble wrap

BATHROOM ACCESSORIES **GW05 10 05 02 Towel Ring "CARTAGO SERIES"**



Cleaning: A damp cotton cloth with soapy water is recommended. Allow to dry.