

BATHROOM ACCESSORIES **GW05 10 06 02 "ITÁLICA SERIES" Glass shelf**



**Product description**

Glass shelf  
Brass with chromed finish  
Finish: Polished  
Itálica Series

**Technical specifications:**

Glass shelf "Itálica Series". The product consists of a transparent glass shelf, two wall mounts, two wall plates covering the wall mounts and a front railing. The railing is made of brass and is fastened by two cylinders to the transparent glass shelf. The wall plates covering the wall mounts are made of brass and have a diameter of 50 mm and a thickness of 4 mm. The wall mounts have two holes so they can be fixed to the wall by means of screws. The assembled set has a polished finish that provides it an appropriate resistance against corrosion. The product is anchored to a brick wall by means of 4 nylon wall plugs and 4 screws. The overall dimensions of the product are 550 x 125 x 65 mm. The accessory model for the HORECA sector is GW05 10 06 02, manufactured by GENWEC WASHROOM S.L. – Av. Joan Carles I, 46-48 08908 L'Hospitalet de Llobregat, Barcelona (Spain).

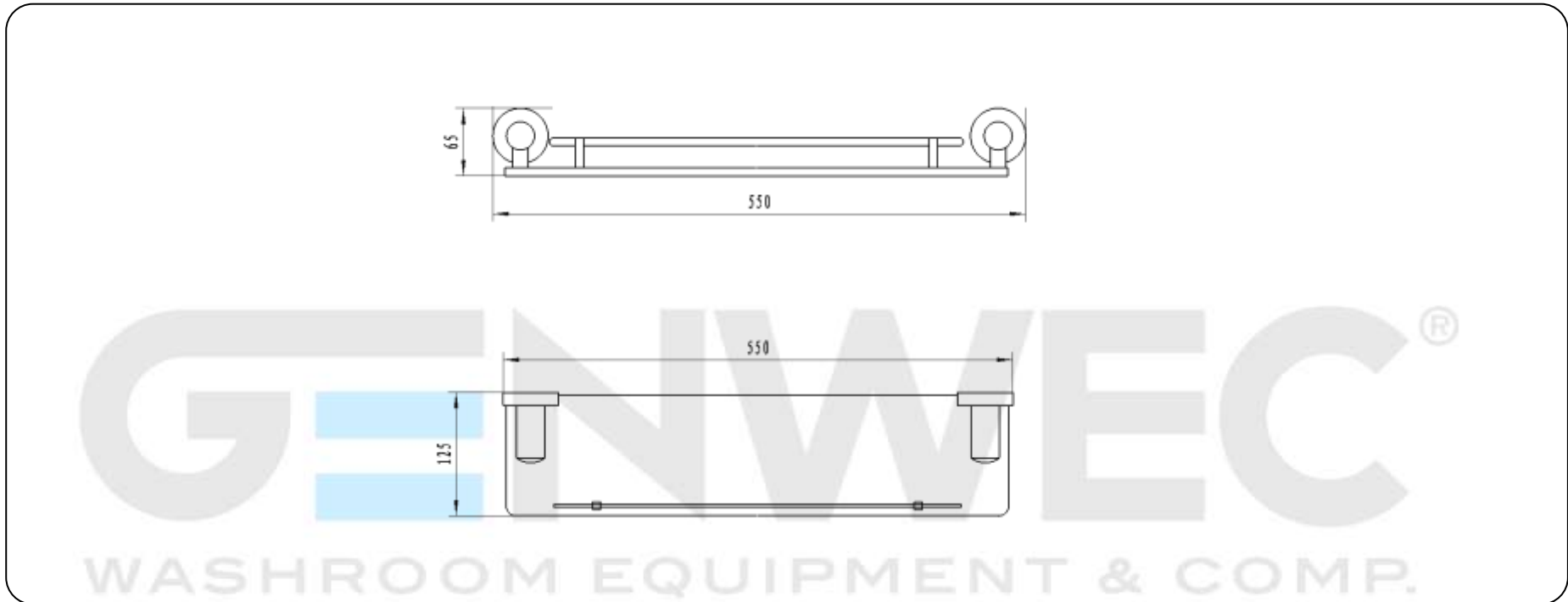
**Technical characteristics**

**Product specifications**

Transparent glass shelf  
Support elements made of brass, Ø28 mm  
Wall plate made of brass with a diameter of 50 mm and a thickness of 4 mm  
Chromed finish plated with 10 µm nickel + 0.15-0.3 µm chromium

**Packaging specifications**

Type of individual package: Individual cardboard box and bubble wrap



**Cleaning:** A cotton cloth slightly dampened in a soapy solution is recommended. Then dry off.