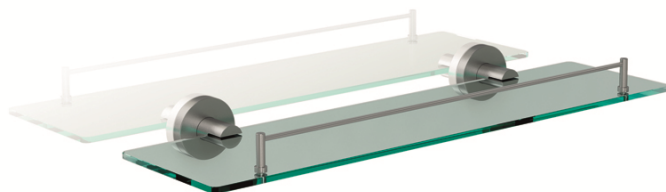


BATHROOM ACCESSORIES GW05 11 04 01 "GERUNDA SERIES" Glass shelf



Product description

Glass shelf
Material: Crystal and AISI 304 stainless steel
Finish: Brushed
Serie Gerunda

Technical specifications:

Glass shelf "Gerunda Series". The product consists of a transparent glass shelf, two wall mounts, two wall plates covering the wall mounts and a front railing. The railing is made of AISI 304 stainless steel and is fastened by two cylinders to the transparent glass shelf. The wall plates covering the wall mounts are made of AISI 304 stainless steel and have a diameter of 50.5 mm and a thickness of 3 mm. The wall mounts, made of steel, have two holes so they can be fixed to the wall by means of screws. The assembled set has a brushed finish that provides it an appropriate resistance against corrosion. The product is anchored to a brick wall by means of 4 nylon wall plugs and 4 screws. The overall dimensions of the product are 60,8x520x143mm. . The accessory model for the HORECA sector is GW05 11 04 01, manufactured by GENWEC WASHROOM S.L. – Av. Joan Carles I, 46-48 08908 L'Hospitalet de Llobregat.

Technical characteristics

Product specifications

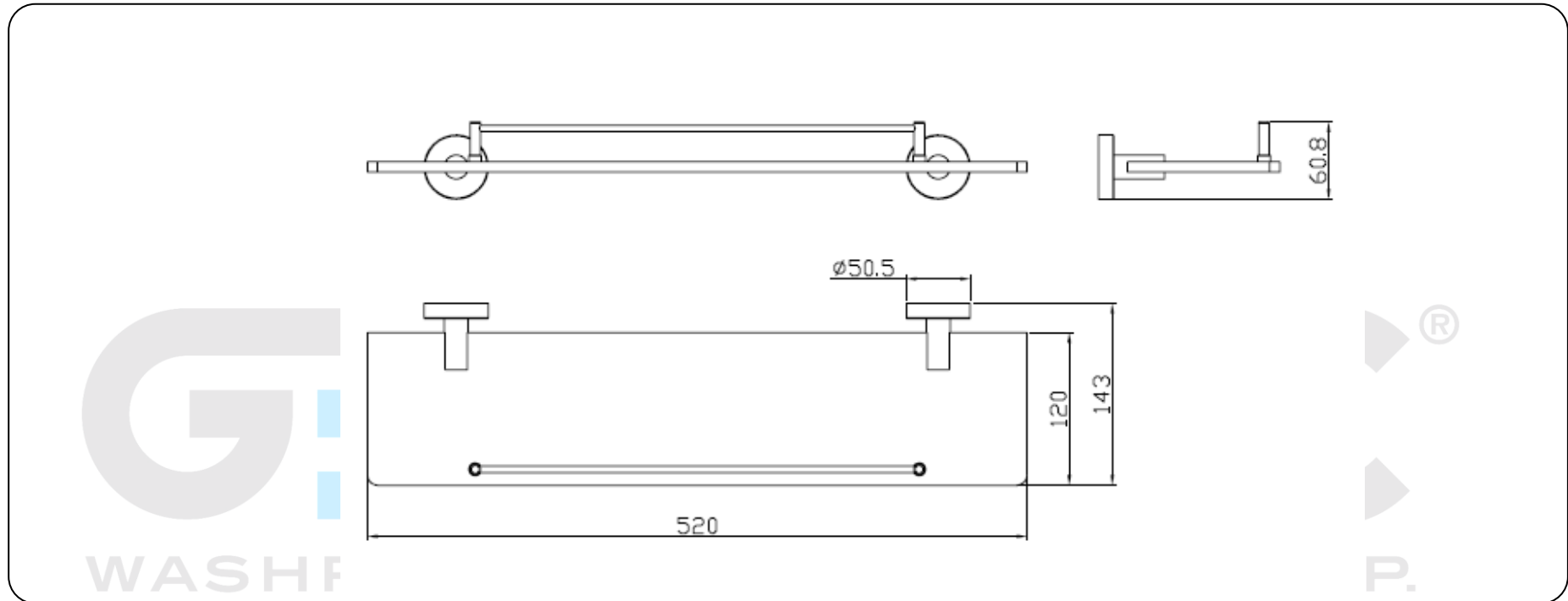
Transparent glass shelf

AISI 304 stainless-steel wall plates with a diameter of 50.5 mm

The metal parts have a brushed finish that provides them an appropriate resistance against corrosion

Packaging specifications

Type of individual package: Individual cardboard box and bubble wrap



Cleaning: A cotton cloth slightly dampened in a soapy solution is recommended. Then dry off.