

BATHROOM ACCESSORIES **GW05 11 06 02 Towel rack "ITALICA SERIES"**



Product description

Towel rack with lower bar
Material: Chrome brass
Finish: Chrome plating
Italica Series

Technical specifications:

Towel rack with lower bar. The product consists of a wall support set, a rack for the towels and a lower towel bar. The wall support set consists of a closed-ended brass tube and a fastened support element on its edge made in brass with a 42-mm diameter and a 3-mm thickness. The wall plate covering the support element, which is fastened to the fixing support, is made in brass casting with a 50-mm diameter and a 4-mm thickness. The rack is made in brass tube with a 12-mm diameter and it is joined to the wall support by means of welding. The U-shaped lower towel bar is made in brass tube with a 12-mm diameter and it is joined to the fixing support for the elements. The mounted set has a chrome finish plated with 10 µm nickel + 0.15-0.3 µm chromium that provides it an appropriate resistance against corrosion. The product is anchored to a brick wall by means of 4 nylon wall plugs and 4 screws. The overall dimensions of the product are 100 x 565 x 233 mm. The accessory model reference for the HORECA sector is GW05 11 06 02, made by GENWEC WASHROOM S.L. – Av. Joan Carles I, 46-48 08908 L'Hospitalet de Llobregat.

Technical specifications

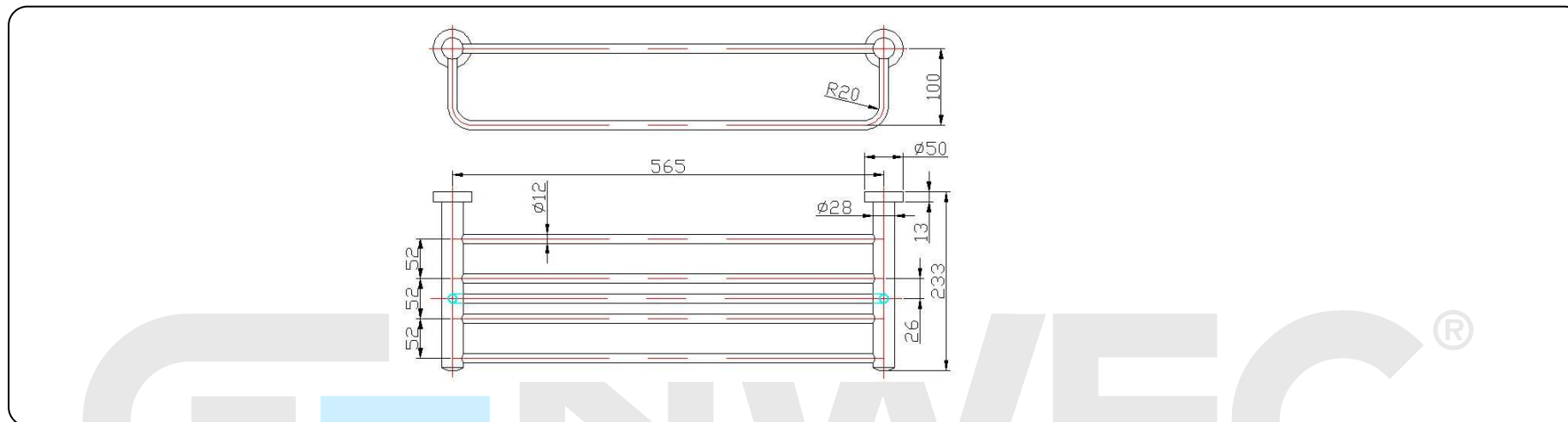
Product specifications

- Rack bars made in brass tube \varnothing 12 mm.
- Support elements made in brass \varnothing 28 mm.
- Wall plate made in brass \varnothing 50 mm and a 4-mm thickness.
- Chrome finish plated with 10 µm nickel + 0.15-0.3 µm chromium.

Packaging specifications

- Single packaging type: Single cardboard, bubble wrap and Cell air foam.

BATHROOM ACCESSORIES **GW05 11 06 02 Towel rack "ITALICA SERIES"**



Cleaning: A damp cotton cloth with soapy water is recommended. Allow to dry.