



Product description

Wall mounted toilet brush

Brush bowl made of pressed glass in acid matte finish

Material : Chromed brass

Finish : Chromed

"LUCENTUM" Series

Technical specifications:

"Lucentum Series" toilet brush. The product consists of a wall mount, a wall square plate covering the wall mount, a brush bowl and the toilet brush set. The set is fitted in the brush bowl, which is made of pressed glass with an acid matte finish and which is fitted in the holding accessory that is attached to the central piece by means of screws. The toilet brush set consists of a handle, made of injected brass, and a brush head. The wall square plate covering the wall mount, which is fastened to the central piece, is made of injected brass (50 x 50 mm). The assembled set has a chromed finish, composed by 10 µm nickel + 0.15-0.3 µm chrome, that provides it an appropriate resistance against corrosion. The product is anchored to a brick wall by means of 2 nylon wall plugs and 2 screws. The overall dimensions of the product are 360 x 152,5 x 110 mm. The accessory model for the HORECA sector is GW05 16 06 02, manufactured by GENWEC WASHROOM S.L. – Av. Joan Carles I, 46-48 08908 L'Hospitalet de Llobregat.

Technical characteristics

Product specifications

Brush bowl made of pressed glass with an acid matte finish

Wall support made of square brass tube of 19 x 19 mm

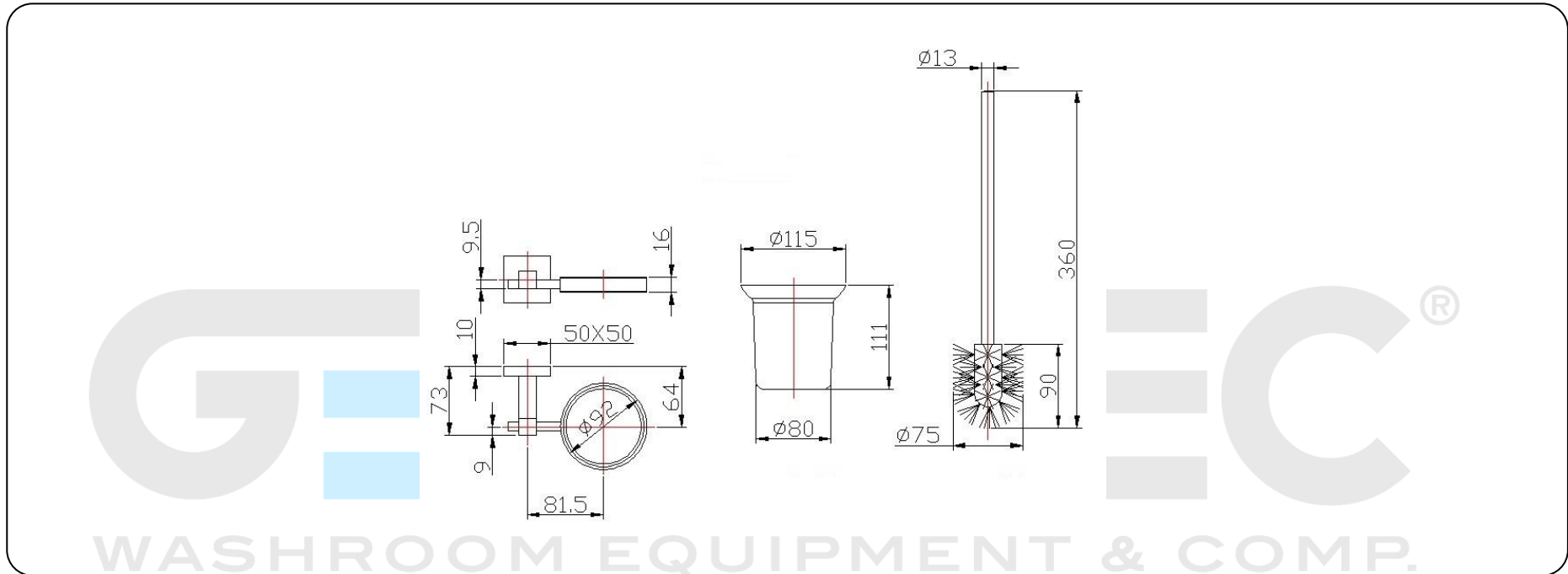
Supports made of brass of 50 x 50 mm

Chrome finish composed by 10 µm nickel + 0.15-0.3 µm

Chrome.

Packaging specifications

- Type of individual package: Individual cardboard box, bubble wrap and Cell Air.



Cleaning: A cotton cloth slightly dampened in a soapy solution is recommended. Then dry off.