



Product description

Soap dispenser and holder
Tank made of pressed glass in matte finish
Material: AISI 304 Stainless steel
Finish: Brushed
Formentera Series

Technical specifications:

Wall mounted soap dispenser. The product consists of a squared wall mount, and a side-mounted tank. The wall mount set, made of AISI 304 stainless steel, is assembled by means of screws, and it consists of a squared recessed fitting and a holding accessory. The tank, made of pressed glass with a matte finish, is fitted in the squared holding accessory. The mounted metal parts have a brushed finish that provides them an appropriate resistance against corrosion. The product is anchored to a brick wall using the zinc-coated carbon-steel mount by means of 2 nylon wall plugs and 2 screws. The overall dimensions of the product are 165,6 x 120,4 x 90 mm. The accessory model for the HORECA sector is GW05 17 04 01, manufactured by GENWEC WASHROOM S.L. - Av. Joan Carles I, 46-48 ES 08908 L'Hospitalet de Llobregat, Barcelona (Spain).

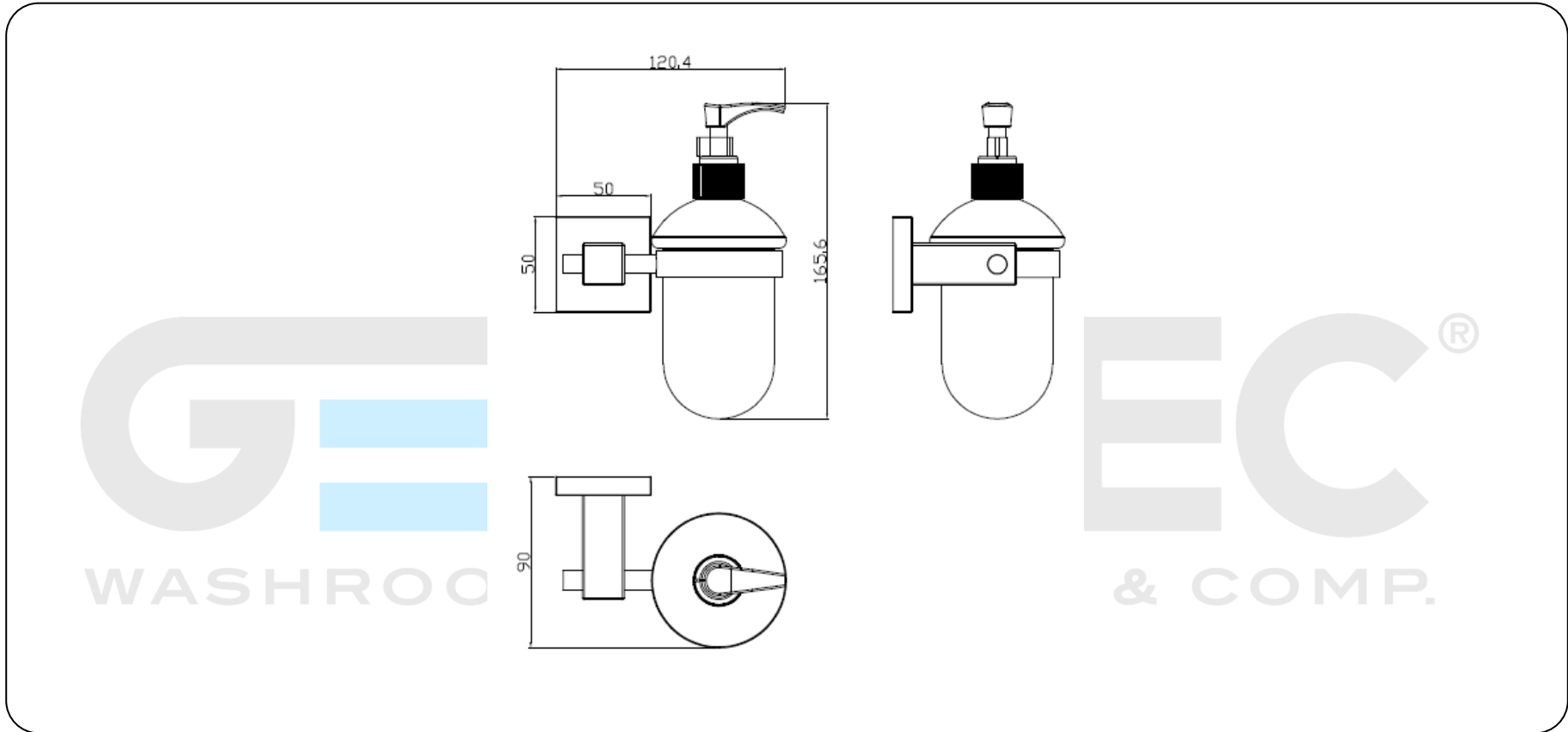
Technical characteristics

Product specifications

- Wall mount set made of AISI 304 stainless steel and assembled by means of screws
- Tank made of pressed glass in matte finish
- Finish: Brushed

Packaging specifications

- Type of individual package: Individual cardboard box and bubble wrap



Cleaning: A cotton cloth slightly dampened in a soapy solution is recommended. Then dry off.