

## BATHROOM ACCESSORIES GW05 19 04 01 "FORMENTERA SERIES" toilet brush



### Product description

Wall mounted toilet brush  
Brush bowl made of pressed glass in matte finish  
Material: AISI 304 Stainless steel  
Finish: Brushed  
Formentera Series

### Technical specifications:

Wall mounted toilet brush. The product consists of a squared wall mount, a side-mounted brush bowl and the toilet brush set. The wall mount set, made of AISI 304 stainless steel, is assembled by means of screws, and it consists of a squared recessed fitting and a holding accessory. The brush bowl, made of pressed glass with a matte finish, is fitted in the squared holding accessory. The mounted metal parts have a brushed finish that provides them an appropriate resistance against corrosion. The toilet brush set consists of a handle and a brush head. The product is anchored to a brick wall using the zinc-coated carbon-steel mount by means of 2 nylon wall plugs and 2 screws. The overall dimensions of the product are 360 x 158.5 x 117.9 mm. The accessory model for the HORECA sector is GW05 19 04 01, manufactured by GENWEC WASHROOM S.L. - Av. Joan Carles I, 46-48 08908 L'Hospitalet de Llobregat.

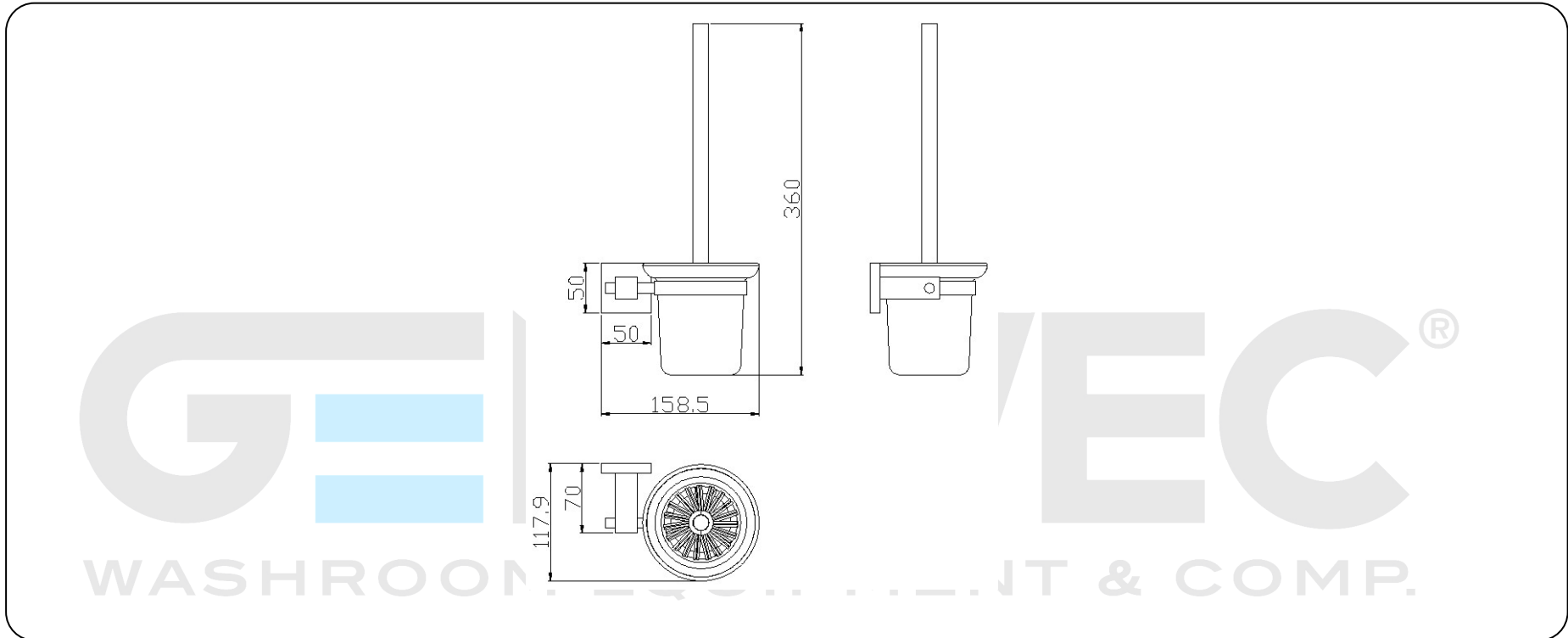
### Technical characteristics

#### Product specifications

- Wall mount set made of AISI 304 stainless steel and assembled by means of screws
- Brush bowl made of pressed glass in matte finish
- Finish: Brushed

#### Packaging specifications

- Type of individual package: Individual cardboard box and bubble wrap



**Cleaning:** A cotton cloth slightly dampened in a soapy solution is recommended. Then dry off.