

BATHROOM ACCESSORIES **GW05 20 06 02 “LUCENTUMSERIES” Glass shelf**



Product description

Glass shelf frosted finish
Brass with chromed finish
Lucentum Series

Technical specifications:

Glass shelf “Lucentum Series”. The product consists of a glass shelf frosted finish, two wall mounts, two square wall plates covering the wall mounts and a front railing. The railing is made of brass and is fastened by two small bars to the glass shelf. The square wall plates covering the wall mounts are made of brass of 50 x 50mm and a thickness of 4 mm. The wall mounts have two holes so they can be fixed to the wall by means of screws. The assembled set has a chromed finish that provides it an appropriate resistance against corrosion. The product is anchored to a brick wall by means of 4 nylon wall plugs and 4 screws. The overall dimensions of the product are 538 x 135 x 50 mm. The accessory model for the HORECA sector is GW05 20 06 02, manufactured by GENWEC WASHROOM S.L. – Av. Joan Carles I, 46-48 E508908 L’Hospitalet de Llobregat, Barcelona (Spain) www.genwec.es

Technical characteristics

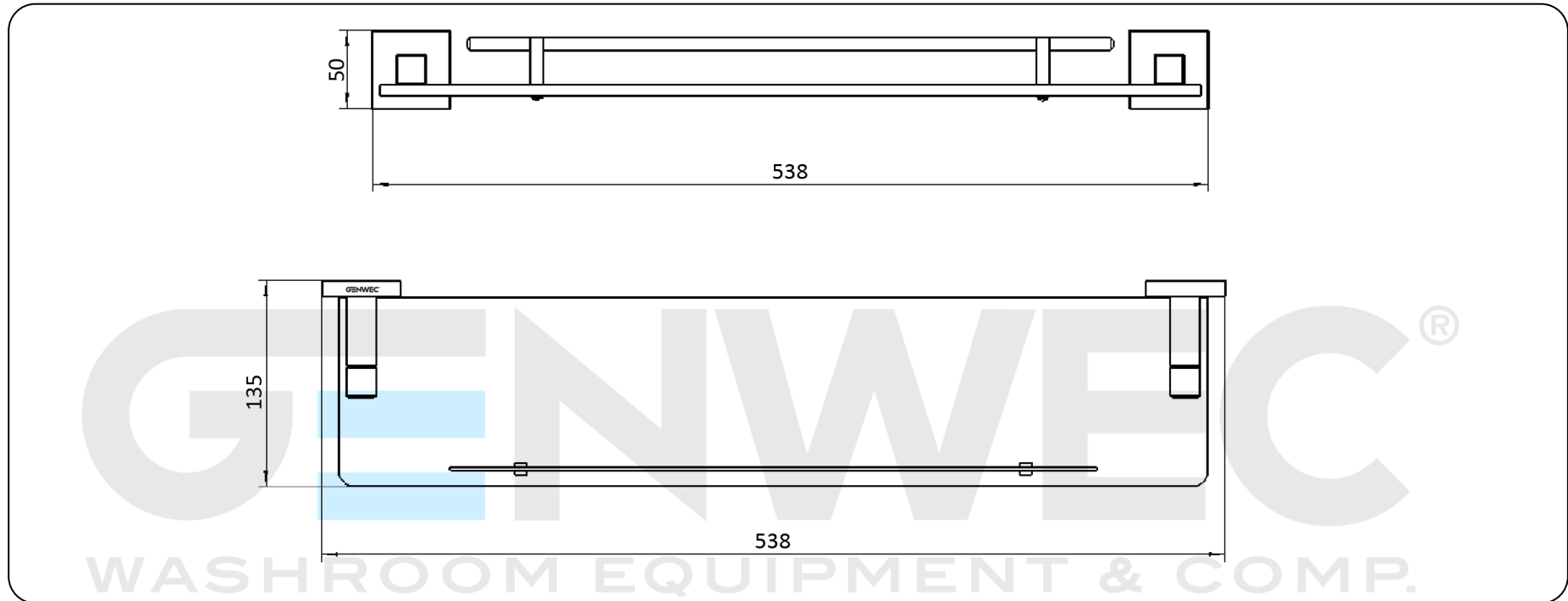
Product specifications

Glass shelf frosted finish
Support elements made of brass
Wall plate made of brass of 50 x 50 mm and a thickness of 4 mm
Chromed finish plated with 10 µm nickel + 0.15-0.3 µm chromium

Packaging specifications

Type of individual package: Individual cardboard box and bubble wrap

BATHROOM ACCESSORIES **GW05 20 06 02 "LUCENTUMSERIES" Glass shelf**



BATHROOM ACCESSORIES **GW05 20 06 02 “LUCENTUMSERIES” Glass shelf**



Cleaning: A cotton cloth slightly dampened in a soapy solution is recommended. Then dry off.

