



Product description

Angular grab bar with soap dish

25-mm tube

Material: Brass

Finish: Chrome plating

Technical specifications:

Angular grab bar with soap dish. The product consists of a grab bar and a soap dish. The angular grab bar consists of a brass support tube with a 25-mm diameter and 1-mm thickness. The edges are rounded at 90° and it is also rounded in its centre point at 135°. The support elements are made in brass with a 45-mm diameter and a 3-mm thickness. The wall plate covering the support element, which is fastened to the fixing support, is made in brass casting with a 50-mm diameter and a 2-mm thickness. The abovementioned supports has 2 holes that are used to fix the set to the wall. The soap dish, made with 3-mm brass rods, is attached to the grab bar by applying pressure on two of the four holes made in it. The mounted set has a chrome finish plated with 10 µm nickel + 0.15-0.3 µm chromium that provides it an appropriate resistance against corrosion. The product is anchored to a brick wall by means of 4 nylon wall plugs and 4 screws. The overall dimensions of the product are 195 x 400 x 125 mm. The accessory model reference for the HORECA sector is GW05 23 06 02, made by GENWEC WASHROOM S.L. – Av. Joan Carles I, 46-48 08908 L'Hospitalet de Llobregat.

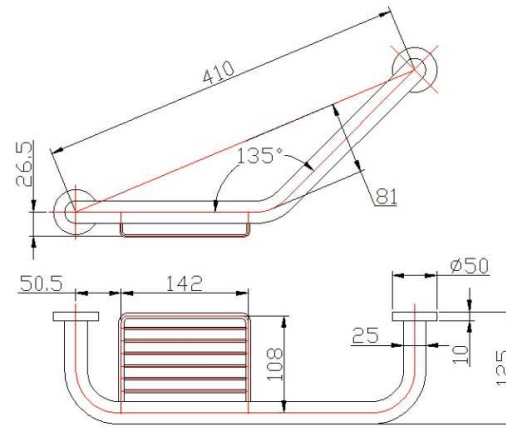
Technical specifications

Product specifications

- Grab bar made in brass tube Ø25 mm and a 1-mm thickness
- Support elements made in brass Ø45 mm and a 3-mm thickness
- Wall plate made in brass Ø50 mm and a 2-mm thickness
- Attached soap dish, 3-mm brass rods
- Chrome finish plated with 10 µm nickel + 0.15-0.3 µm chromium

Packaging specifications

- Single packaging type: Single cardboard, bubble wrap and Cell air foam.



Cleaning: A damp cotton cloth with soapy water is recommended. Allow to dry.