

BATHROOM ACCESSORIES GW05 24 04 01 "FORMENTERA SERIES" towel shelf



Product description

Towel shelf with lower towel bar
Material: AISI 304 Stainless steel
Finish: Brushed
Formentera Series

Technical specifications:

"Formentera Series" towel shelf. The product consists of two wall mounts, two wall plates covering the wall mounts and the towel bars. The towel bars, made of AISI 304 stainless steel are fixed to the central bars by means of screws, as so is the U-shaped lower towel bar. The wall plates covering the wall mounts, which are fastened to the ends of the central bars, are made of AISI 304 stainless steel. The wall mounts, made of steel, have two holes so they can be fixed to the wall by means of screws. The assembled set has a brushed finish that provides it an appropriate resistance against corrosion. The product is anchored to a brick wall by means of 4 nylon wall plugs and 4 screws. The overall dimensions of the product are 602x239x142 mm. The accessory model for the HORECA sector is GW05 24 04 01, manufactured by GENWEC WASHROOM S.L. - Av. Joan Carles I, 46-48 08908 L'Hospitalet de Llobregat.

Technical characteristics

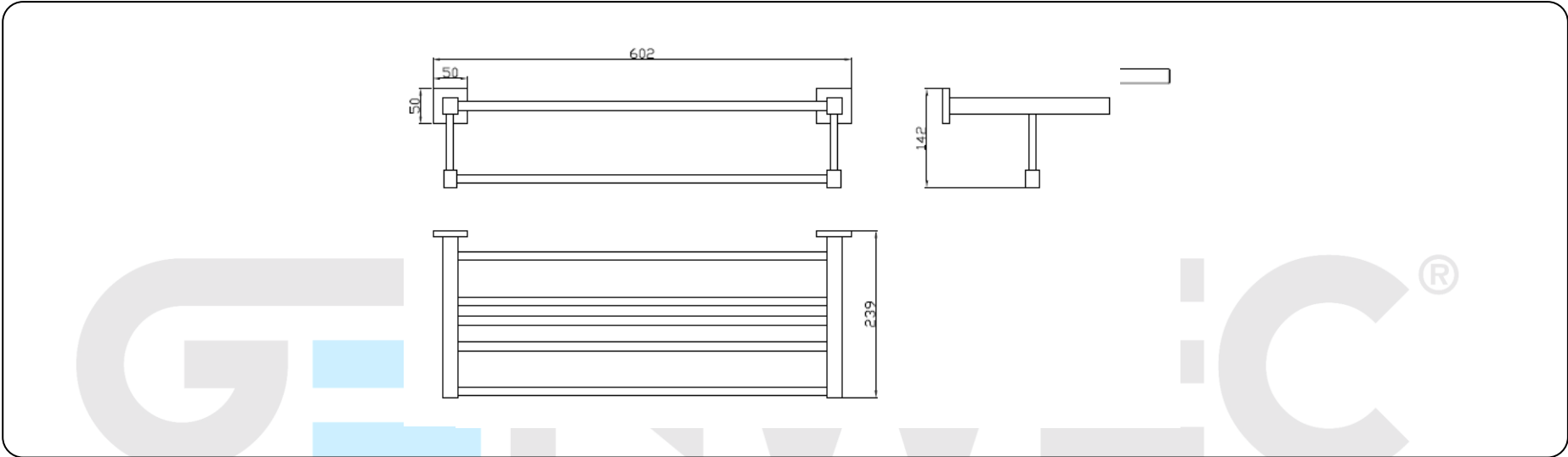
Product specifications

- Towel bars made of AISI 304 stainless steel
- AISI 304 stainless-steel wall plates
- The metal parts have a brushed finish that provides them an appropriate resistance against corrosion

Packaging specifications

- Type of individual package: Individual cardboard box and bubble wrap

BATHROOM ACCESSORIES **GW05 24 04 01 "FORMENTERA SERIES" towel shelf**



Cleaning: A cotton cloth slightly dampened in a soapy solution is recommended. Then dry off.