



Product description

350 mm grab bar
1 mm AISI 304 stainless steel tubing with 25 mm outside diameter
Satin finish
Heavy duty

Technical specifications:

350 mm AISI 304 stainless steel grab bar to be installed in vertical or horizontal position. The tube has an outside diameter of 25 mm with a thickness of 1 mm, bended on both ends 90°. Mounting flanges have two holes for wall attachment. Each cover snaps over mounting flange to conceal mounting screws. Clearance between the grab bar and wall is 58 mm. The assembled unit has suitable resistance to corrosion. The grab bar code is GW05 34 04 02 manufactured by GENWEC WASHROOM S.L. – Av. Joan Carles I, 46-48 ES 08908 L'Hospitalet de Llobregat, Barcelona (Spain)

Technical characteristics

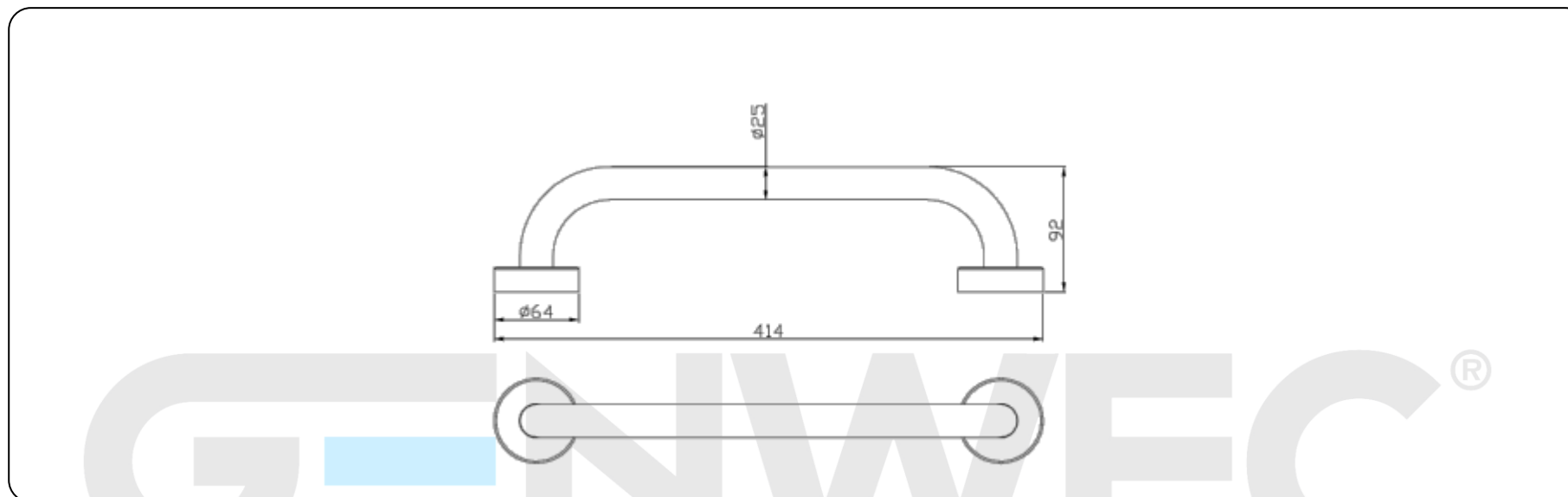
Product specifications

- Grab bar AISI 304 stainless steel tubing \varnothing 25 mm and a thickness of 1 mm
- Snap flange covers manufactured in AISI 304 stainless steel with 0,5mm thickness and \varnothing 64 mm diameter
- Satin finish
- Overall dimensions 414 mm x 92 mm x 64 mm

Packaging specifications

- Type of individual package: Individual cardboard box, bubble wrap and Cell Air wrap

BATHROOM ACCESSORIES **GW05 34 04 02 Straight bar 350 mm**



Cleaning: A cotton cloth slightly dampened in a soapy solution is recommended. Then dry off.