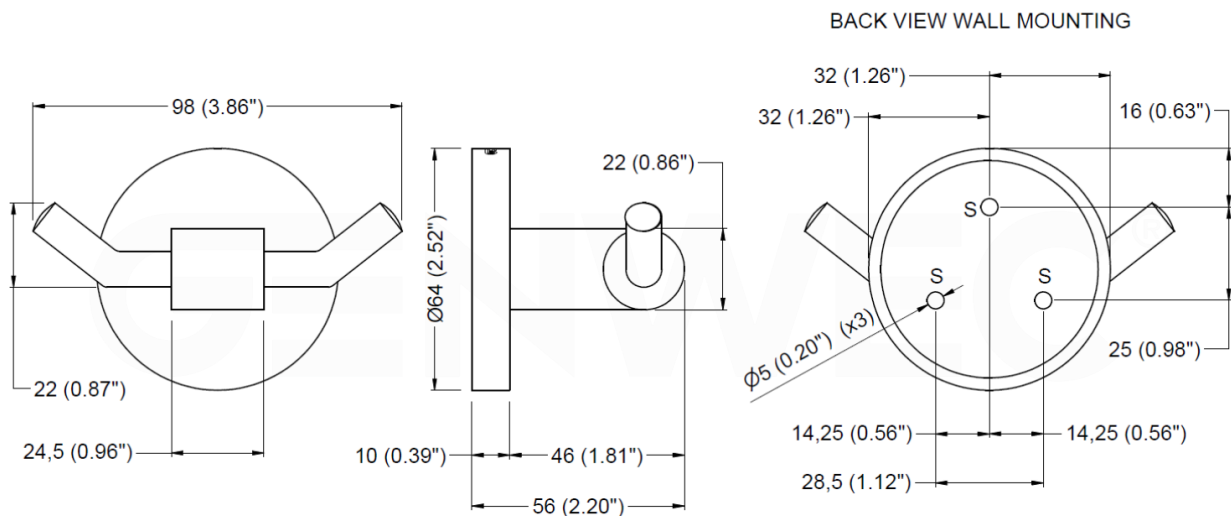




GW05 40 04 02

Double hanger "CRETA series"



Dimensions: ±3%

TECHNICAL DATASHEET

COMPONENTS AND MATERIALS

- Concealed wall plate – AISI 304 stainless steel. Secured to wall with three screws.
- Main body and flange – AISI 304 stainless steel, 1,5mm thickness. Polished chrome finish. Secured to wall plate with a stainless steel screw.
- Fixings set - Three Ø 6mm wall plugs, three Ø 4mm screws and one Allen key.

OPERATION

Suitable for hotel or residential bathrooms. No specific operation instructions.

MOUNTING

Loosen main body bottom setscrew so wall plate can be removed. Drill three Ø 6mm holes to suit provided wall plugs (6mm) and screws (4mm) at S points indicated in technical design. Secure wall plate to the wall. Place flange first and main body. Tighten setscrew at the bottom of the main body so to secure with wall plate.

ARCHITECTURAL SPECIFICATION

Genwec double hanger "Creta series" shall be 1,5mm thickness, AISI 304 stainless steel, chromed bright finish. Main body shall have two horizontal hooks to secure grip. Edges should be smooth for user safety.

SPARE PARTS

GW05 01 90 00 – Fixings set