

GRAB BARS

GW11 09 04 01 Folding bar with floor anchoring column

GENWEC[®]
WASHROOM EQUIPMENT & COMP.



Product description

Vertical folding bar.

1.5 mm AISI 304 stainless steel tubing with 32 mm outside diameter.

1.5 mm AISI 304 stainless steel 50 x 50 mm floor anchoring column

AISI 304 Support

Brushed finish.

Anti-vandalism product. Heavy duty.

Gradual breaking system.

Length: 750 mm.

Technical specifications:

Vertical folding bar with gradual breaking system incorporated. This horizontal installation bar is composed of an AISI 304 stainless steel tubing with 32 mm of diameter and 1.5 mm of thickness. The tube has been bent as a "U" and it is reinforced by a joist with a paper hanger located in the middle. The floor support is composed of an AISI 304 stainless steel plate. The two AISI 304 stainless steel hinges with 3 mm of thickness using to turn the folding bar are located on the anchoring column of 50 x 50, made of AISI 304 of 1.5 mm of thickness. All the pieces have been welded by TIG method. There are 4 bores on the floor mounted to support the bar on the wall. All the pieces of the bar have a brushed finish. The folding bar complies the ADA regulation. The bar is fixed to the floor with 4 nylon plugs of 10X60 and AISI304 stainless steel screws of 8X70 with hexagonal head. Grab bar will support loads in excess of 120Kg if properly installed. The total measures of the product are 750x850x240 mm. The grab bar code is GW11 09 04 01 manufactured by GENWEC WASHROOM S.L. – Av. Joan Carles I, 46-48 ES 08908 L'Hospitalet de Llobregat, Barcelona (Spain)

Technical characteristics

Product specifications

AISI 304 stainless steel tubing with \varnothing 32 mm and 1,5 mm of thickness

AISI 304 stainless steel support four \varnothing 10,5 mm bores by support

No feed TIG Welding.

Brushed finish.

Grab bar supports 120 Kg if properly fixed.

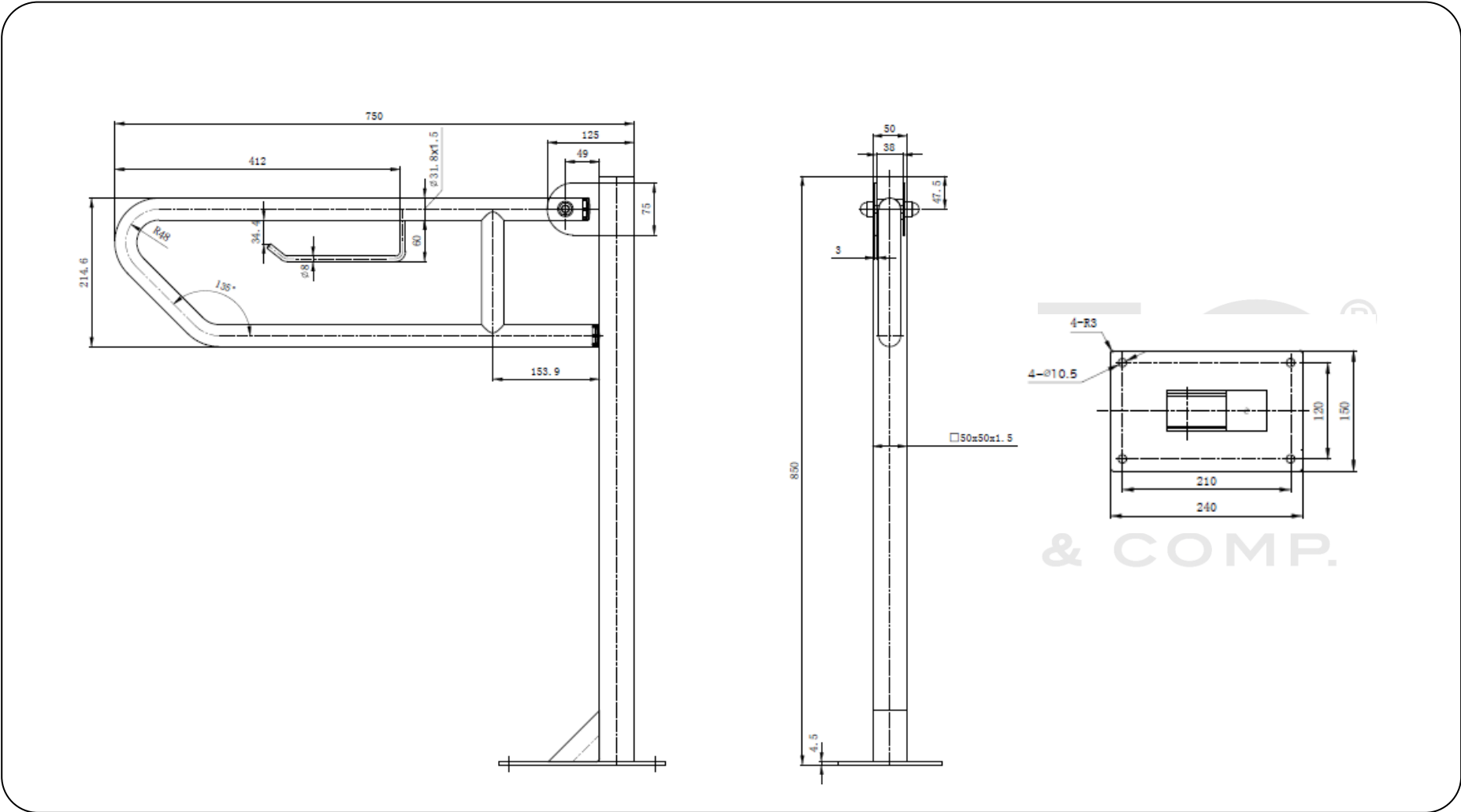
GENWEC WASHROOM S.L. . reserves the right to modify and/or rectify products and their specifications without prior notice.

Measures: \pm 3%

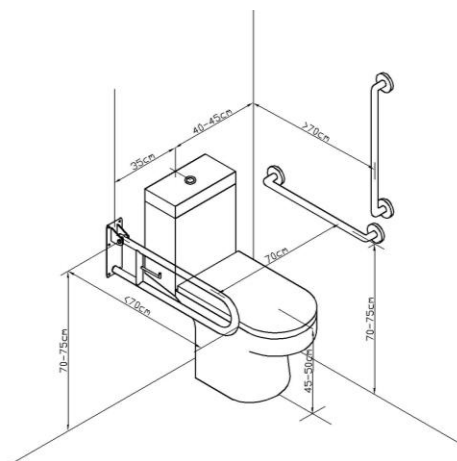
Revised by: GWC_V2 (07/2021)

GRAB BARS

GW11 09 04 01 Folding bar with floor anchoring column



GENWEC WASHROOM S.L. . reserves the right to modify and/or rectify products and their specifications without prior notice.
Measures: ±3%
Revised by: GWC_V2 (07/2021)

Installation advice**Electrical isolation:**

GENWEC WASHROOM, S.L. has electrical isolation kits for all grab bars manufactured in stainless steel. The kit code for folding bars is GW11 01 90 01.

Operation: Horizontal position for use, folding position only recommended for accessibility.

Cleaning: A cotton cloth slightly dampened in a soapy solution is recommended. Then dry off.