

TECHNICAL MOBILITY SUPPORTS **GW11 60 04 01 Folding bar with vertical rotation bar of 760 mm with leg**



(*) The image does not represent the final finish

Product description

Folding bar with vertical rotation
Drop-down leg for added support
Locking in vertical position
AISI 304 stainless Steel tube with $\varnothing 32$ mm and 1,5 mm of thickness
Wall support made in AISI 304 stainless steel of 3 mm thickness
Brushed finish
Anti-vandalism product. Heavy duty.
Length: 760mm.

Technical specifications:

Folding bar with vertical rotation with drop-down leg. The bar is composed of two AISI 304 stainless steel tubes with a diameter of 32 mm and a thickness of 1.5. One of the tubes serves to grip the user while and the other serves as a support leg. Both are joined by two brackets and a screw that act as a turning axis. The wall support is composed of a 3mm thick AISI 304 stainless steel plate and a 3mm thick AISI 304 stainless steel gusset, the set welded by TIG welding, makes the function of supporting the axis of rotation of the folding bar. In this support there are 4 holes for fix the bar to the wall. The set has a brushed finish. The drop bar is compliant with American Barrier Removal (ADA) regulations. The bar is fixed to the wall by means of 6 nylon wall plugs and steel screws AISI304 of 6X50. Maximum static and dynamic load supporting: 120 Kg. The product total dimensions are 900x100x760mm. The folding bar model is GW11 60 04 01 manufactured by GENWEC WASHROOM S.L. – Av. Joan Carles I, 46-48 08908 L'Hospitalet de Llobregat.

Technical characteristics

Product specifications

AISI 304 stainless steel tube with $\varnothing 32$ mm and 1,5 mm of thickness.

Drop-down leg with vertical lock

Six holes by support of $\varnothing 10,5$ mm

Complete TIG welding

Brushed finish.

Maximum static and dynamic load supporting: 120 Kg ⁽¹⁾

(1) *The weight supported depends on the type of wall. In this case, the data is for a solid brick factory with the supplied screws and plugs mounted correctly. For other types of wall, consult the manufacturer.*

GENWEC WASHROOM S.L. reserves the right to modify and/or rectify products and their specifications without prior notice.

Measures: $\pm 3\%$

Revised by: MG_v0 (10/2020)

Packing especifications

Packing type: Plastic bag

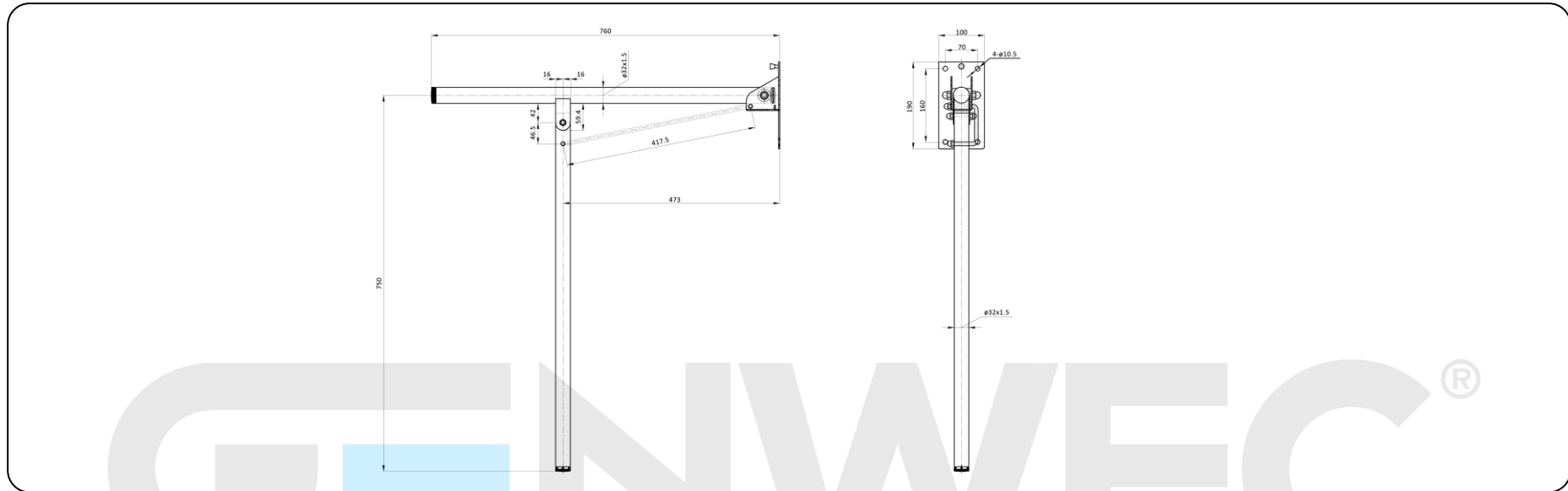
Individual packaging dimensions: 900x100x760 mm

Product dimensions: 900x100x760 mm

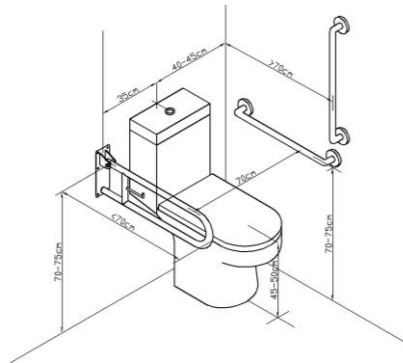
Units per carton: 5

Units per pallet: 70 (*)

(*) *maximun high 1,1m.*



Recomendaciones de Instalación.



Aislamiento eléctrico:

Según el Reglamento de Baja tensión, cualquier elemento metálico montado en un baño o zona húmeda, debe de estar conectado a tierra o aislado eléctricamente. Para conseguir el citado aislamiento, GENWEC WASHROOM, S.L. dispone de kits específicos según el tipo de barra.

Funcionamiento: La posición de uso de la barra abatible es en posición horizontal, siendo la posición abatida solo recomendada para permitir la accesibilidad.

Limpieza: Se recomienda un paño de algodón ligeramente humedecido en una solución jabonosa. A continuación, secar.

GENWEC WASHROOM S.L. reserves the right to modify and/or rectify products and their specifications without prior notice.

Measures: $\pm 3\%$

Revised by: MG_v0 (10/2020)